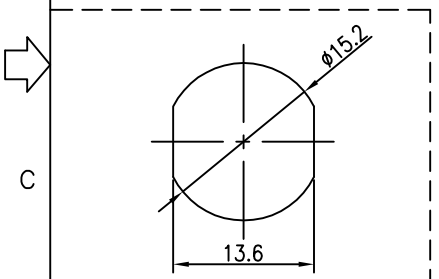
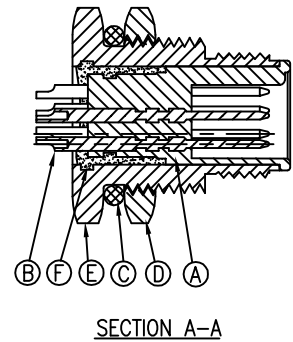
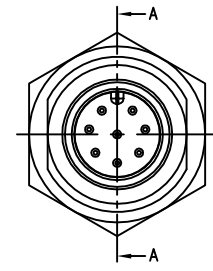
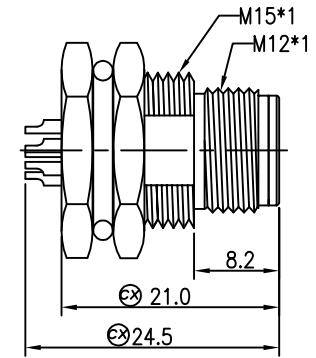
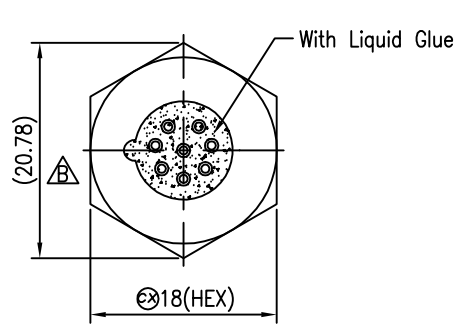
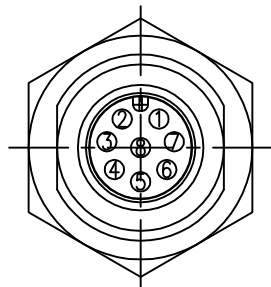


REV.	ECN NO OR DESCRIPTION	REVISED	DATE
A	PDR NO.:T09012015P	Steve	2009.01.08
B	ECN NO.: S120108	Shawn	2012.01.06



Recommend Panel Cut-out



Pin Assignments
Front View

- NOTES:
1. WATERPROOF RATE: IP68
IP68: IMMERSED IN 1M WATER FOR 24 HOURS
 2. ELECTRICAL CHARACTERISTICS
TEMPERATURE RANGE: -40°C TO +100°C
RATING: 60V AC/DC 2A
DIELECTRIC WITHSTANDING VOLTAGE: 500V AC FOR ONE MINUTE
 3. SPECIFICATIONS:SEE "M12 SERIES SPECIFICATIONS".
 4. TO CONFORM TO SINGATRON HAZARDOUS SUBSTANCE FREE SPEC.
 5. GREEN PRODUCT IDENTIFICATION LABEL ON PACKAGING: G.P. PASS
 6. FOR PANEL THICKNESS MAX OF 4.5mm
 7. ⌀ REPRESENT CRITICAL DIMENSIONS.

F	LIQUID GLUE	1	N/A	BLACK
E	SHIELD	1	BRASS(HBi59-1.5B)	NICKEL PLATING 100u"
D	NUT	1	BRASS(HBi59-1.5B)	NICKEL PLATING 100u"
C	O-RING	1	EPDM	BLACK
B	MALE PIN	8	BRASS(HBi59-1.5B)	6u" GOLD PLATED OVER NICKEL PLATING
A	BODY	1	NYLON+33%GF(70G33L)	BLACK
NO	DESCRIPTION	QTY	MATERIAL	PLATING & COLOR
UNLESS OTHERWISE SPECIFIED TOLERANCES			Singatron Electronic(China) Co., Ltd. 信音電子(中國)股份有限公司	
DECIMALS:		ANGLES:		TITLE
X	:±0.3	X	:±1°	M12 SERIES FRONT MOUNT MALE CONN. (8PIN) HEXAGONAL BACKSHELL
X.X	:±0.2	X.X	:±0.5°	DWN Shawn PART NO.2MT3003-X08200
X.XX	:±0.1			CHKD Harlen SCALE 2:1 UNIT: mm
X.XXX	:±0.05			APVD Tony SIZE: A3 SHEET:1 OF 1 REV: B
ENGINEERING COPY				