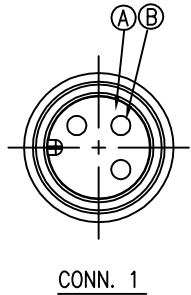
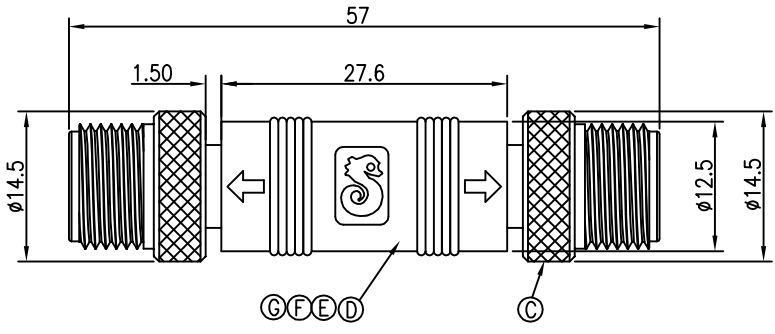
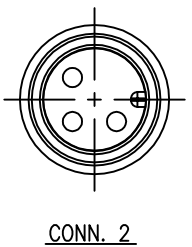
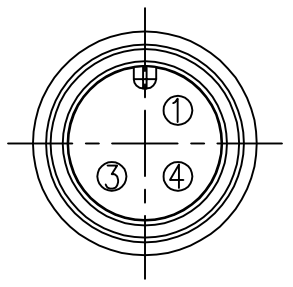


REV.	ECN NO OR DESCRIPTION	REVISED	DATE
A	PDR NO.:T100316-5A	Shawn	2010.05.31



4	BLACK	4
3	RED	3
1	YELLOW	1
CONN.1	WIRE COLOR	CONN.2
PIN OUT		



Pin Assignments  
Front View

- NOTES:
1. WATERPROOF RATE: IP67
  2. CURRENT RATING: 5A
  3. OTHER GENERAL SPEC. TO REFER "M12 SERIES SPEC".
  4. TO CONFORM TO SINGATRON HAZARDOUS SUBSTANCE FREE SPEC.
  5. GREEN PRODUCT IDENTIFICATION LABEL ON PACKAGING: G.P. PASS

G	WIRE	1	UL1007 24#	YELLOW
F	WIRE	1	UL1007 24#	RED
E	WIRE	1	UL1007 24#	BLACK
D	OVER MOLD	1	TPU	BLACK
C	SCREW NUT	2	BRASS	NICKEL PLATING 100u"
B	MALE PIN	6	BRASS	6u" GOLD PLATING OVER NICKEL PLATING
A	BODY	2	TPU	BLACK
NO	DESCRIPTION	QTY	MATERIAL	PLATING & COLOR
UNLESS OTHERWISE SPECIFIED TOLERANCES			Singatron Electronic(China) Co., Ltd. 	
DECIMALS:		TITLE		
X	:±0.5	M12 SERIES 180° 3 PIN MALE CONN. ADAPTOR		
X.X	:±0.3	DWN	Shawn	PART NO.2MT302A-X03300
X.XX	:±0.2	CHKD	Steve	SCALE 2:1 UNIT: mm
		APVD	Max	SIZE: A3 SHEET:1 OF 1 REV: A
<b>CUSTOMER COPY</b>				