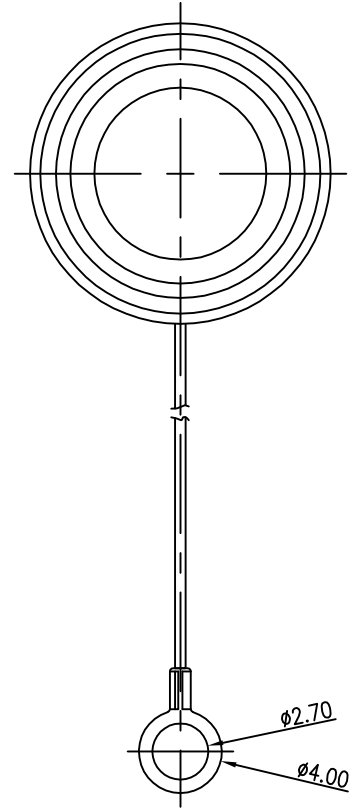
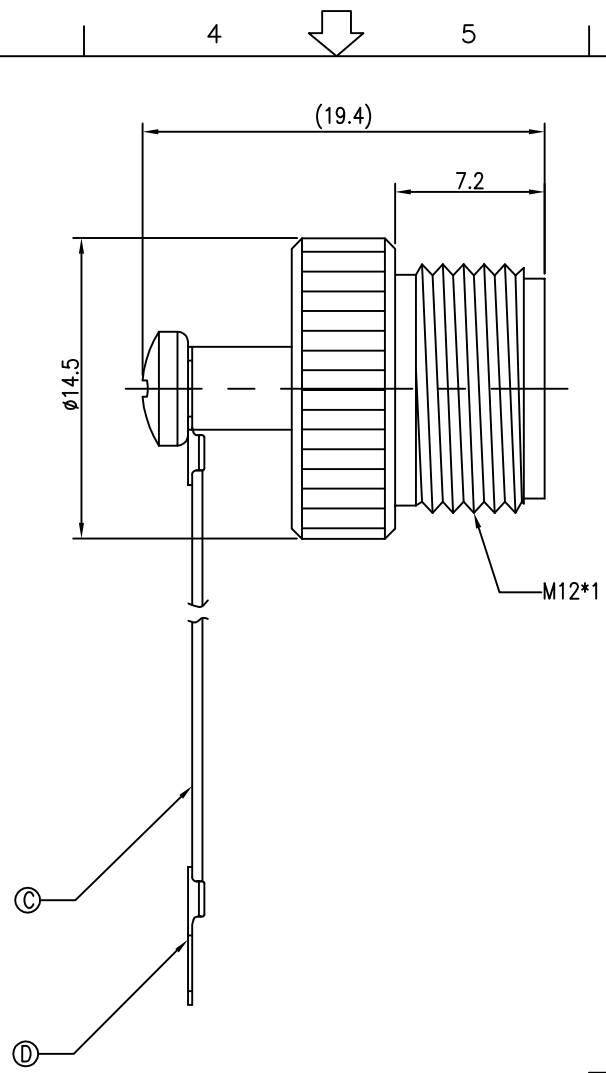
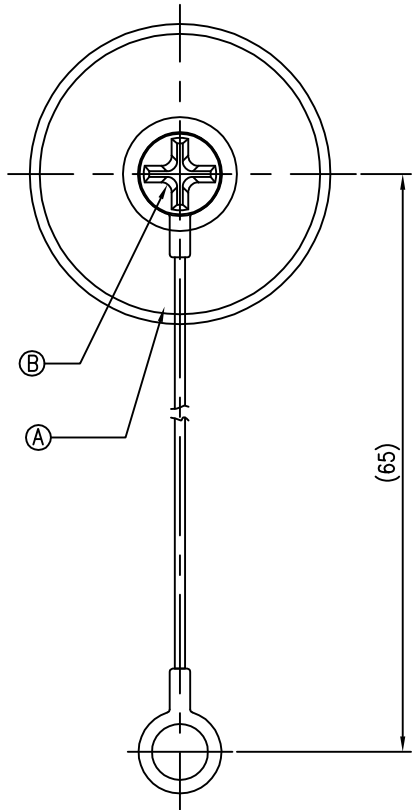


REV.	ECN NO OR DESCRIPTION	REVISED	DATE
A	PDR NO:T100409-3A	Shawn	2010.07.31



- NOTES:
1. WATERPROOF RATE: IP68
IP68: IMMERSED IN 1M WATER FOR 24 HOURS
 2. TO CONFORM TO SINGATRON HAZARDOUS SUBSTANCE FREE SPEC.
 3. GREEN PRODUCT IDENTIFICATION LABEL ON PACKAGING:

D	TERMINAL		BRASS	Tin PLATING
C	FISH LINE	1	NYLON	N/A
B	SCREW	1	STAINLESS STEEL	N/A
A	SCREW NUT	1	AL ALLOY	Nickel Plating 60~80u"
NO	DESCRIPTION	QTY	MATERIAL	PLATING & COLOR
UNLESS OTHERWISE SPECIFIED TOLERANCES		Singatron Electronic(China) Co., Ltd. 信音電子(中國)股份有限公司		
DECIMALS:		TITLE		
X	:±0.5	WATERPROOF CAP SCREW TYPE (IP68)		
X.X	:±0.3	DWN	Shawn	PART NO.2MT3012-X000W
X.XX	:±0.2	CHKD	Steve	SCALE 4:1 UNIT: mm
		APVD	Quan	SIZE: A3 SHEET:1 OF 1 REV: A
CUSTOMER COPY				