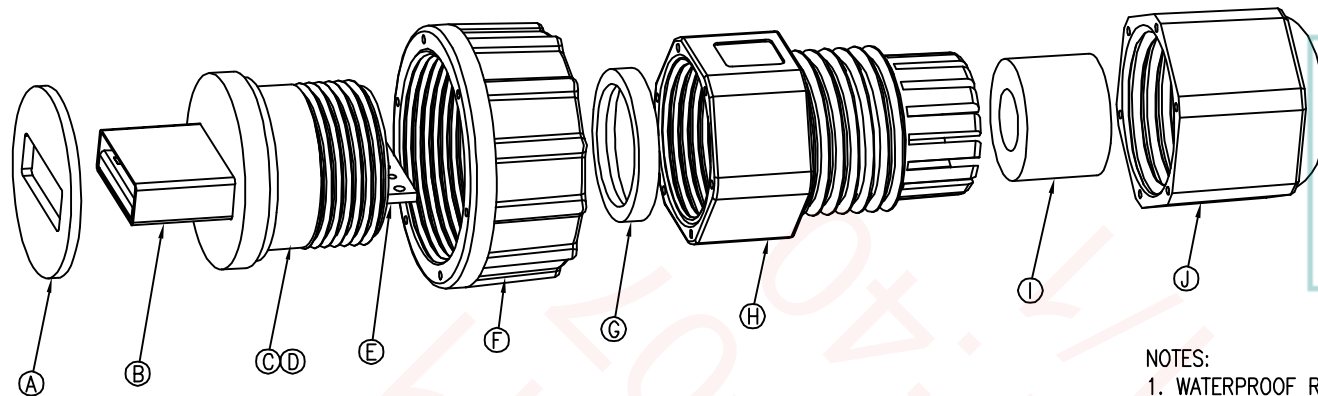


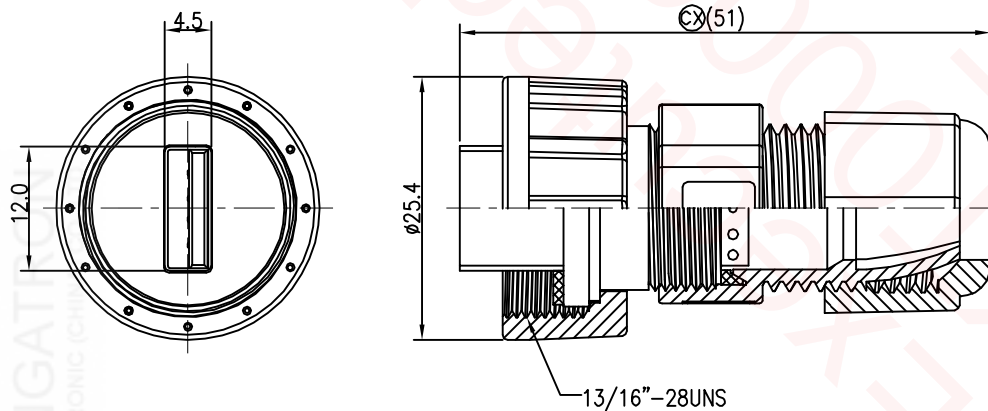
REV.	ECN NO OR DESCRIPTION	REVISED	DATE
A	PDR NO.:T150130-7A	Vicky	2015.07.03
B	ECN NO.:S150865-R	Vicky	2015.08.31



文員
DCC(SZ)
陳環環
2015/09/06
13:52:51

NOTES:

- WATERPROOF RATE: IP67
IP67: IMMERSED IN 1M WATER FOR 30 MINUTES
- ELECTRICAL CHARACTERISTICS:
 - RATING: 30V 1A
 - CONTACT RESISTANCE: 30mΩ MAX.(INITIAL)
 - DIELECTRIC WITHSTANDING VOLTAGE: 500V AC FOR ONE MINUTE
 - INSULATION RESISTANCE: 100MΩ MIN. MEASURED BY 500 VDC
- OTHER GENERAL SPEC. TO REFER "2UP2002 SERIES SPEC".
- TO CONFORM TO SINGATRON HAZARDOUS SUBSTANCE FREE SPEC.
- GREEN PRODUCT IDENTIFICATION LABEL ON PACKAGING: **GREEN PASS**



J	SEALING NUT	1	PA66	BLACK
I	SEAL	1	EPDM	BLACK
H	CLAMP RING	1	PC	BLACK
G	GASKET	1	SILICONE	BLACK
F	SCREW NUT	1	PC	BLACK
E	PCB	1	FR-4	GREEN
D	BODY	1	PPE	BLACK
C	LIGUID GLUE	1	N/A	BLACK
B	USB A PLUG	1	P/N:2UP2002-4P0111	N/A
A	GASKET	1	EPDM	BLACK
NO	DESCRIPTION	QTY	MATERIAL	PLATING & COLOR

UNLESS OTHERWISE SPECIFIED TOLERANCES

Singatron Enterprise Co., Ltd.
信音企業股份有限公司

DECIMALS: ANGLES:
X :±0.5 X :±2°
X.X :±0.3 X.X :±1°
X.XX :±0.2

TITLE	WATERPROOF USB2.0 A PLUG		
DWN	Vicky	PART NO.2UP3000-W05100H	
CHKD	Harlen	SCALE 1:1	UNIT: mm
APVD	Steve	SIZE: A3	SHEET:1 OF 1

CUSTOMER COPY