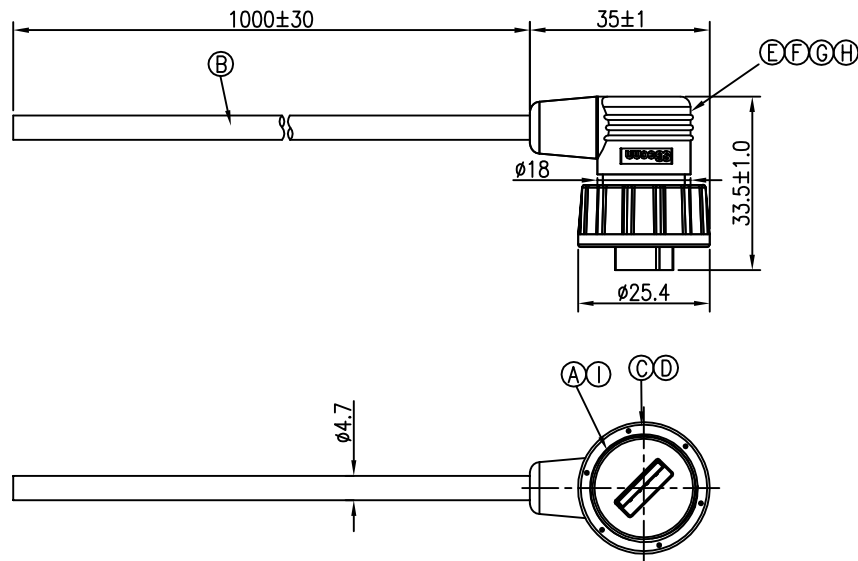
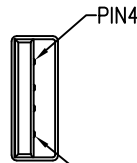


REV.	ECN NO OR DESCRIPTION	REVISED	DATE
A	PDR_T140103-1B	Harlen	2014.4.26



DRAIN	SHIELD
BLACK	4
GREEN	3
WHITE	2
RED	1
WIRE COLOR	CONN.

PIN OUT



Pin Assignments
Front View

NOTES:

- ELECTRICAL CHARACTERISTICS:
 - CURRENT RATING: 1.0 AMPS.
 - CONTACT RESISTANCE: 3 Ohm Max.
 - INSULATION RESISTANCE: 1000 MOhm Min. at 500VDC.
 - BREAKDOWN VOLTAGE: 500 VAC PER MINUTE.
- ENVIRONMENTAL:
 - OPERATING TEMPERATURE: -20°C TO +80°C.
 - SEALING REQUIREMENTS: IP67.
- FOR TECHNICAL DATA REFER TO YOUR LOCAL SINGATRON ELECTRONICS SALES OFFICE.
- ALL DIMENSIONS ARE NOMINAL FOR REFERENCE ONLY UNLESS OTHERWISE STATED.
- TO CONFORM TO SINGATRON HAZARDOUS SUBSTANCE FREE SPEC.
- GREEN PRODUCT IDENTIFICATION LABEL ON PACKAGING: **G.P. PASS**

I	BODY	1	PPE	BLACK
H	LIQUID GLUE	1	N/A	BLACK
G	TUBE	1	Ø1.0(125°,300V)	BLACK
F	INNER MOLD	1	TPU	NATURAL
E	OVER MOLD	1	TPU	BLACK
D	GASKET	1	EPDM	BLACK
C	SCREW NUT	1	PC	BLACK
B	CABLE	1	USB2.0 28#*1P+24#*2C+ADB,UV	BLACK
A	USB CONN.	1	USB 2.0 PLUG	N/A
NO	DESCRIPTION	QTY	MATERIAL	PLATING & COLOR

UNLESS OTHERWISE SPECIFIED TOLERANCES

Singatron Electronic(China) Co., Ltd.
信音電子(中國)股份有限公司

DECIMALS:	ANGLES:	TITLE	USB 2.0 PLUG WITH CABLE(90°)	
X :±0.5	X :±2°	DWN	Harlen	PART NO.2UP3005-X05100H
X.X :±0.3	X.X :±1°	CHKD	JF	SCALE 1:1 UNIT: mm
X.XX :±0.2		APVD	Quan	SIZE: A3 SHEET:1 OF 1 REV:A

CUSTOMER COPY