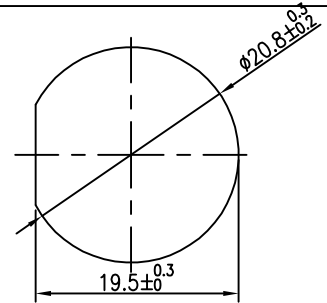
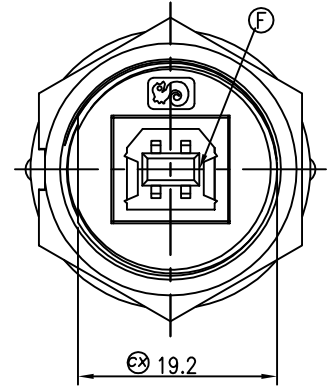
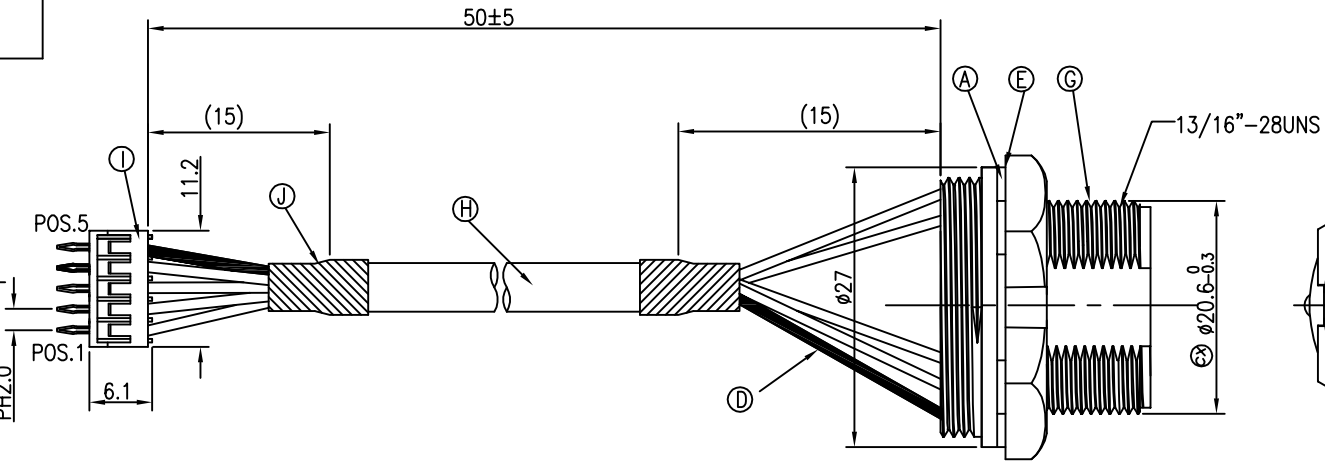
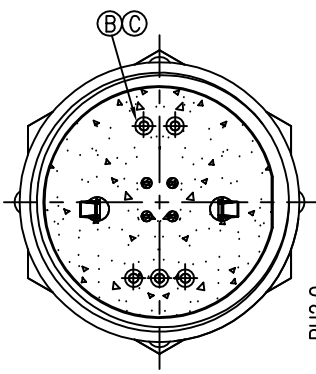
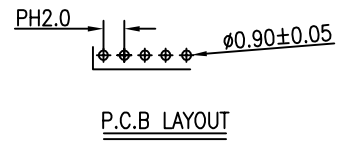
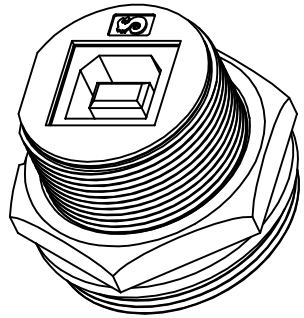


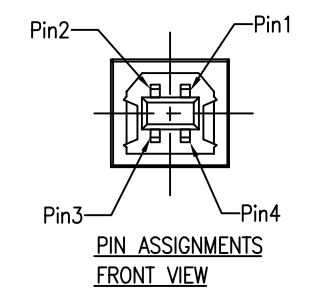
| REV. | ECN NO OR DESCRIPTION | REVISED | DATE |
|------|-----------------------|---------|------------|
| A | PDR NO:S101008-2C | HARLEN | 2010.10.14 |
| B | ECN NO:S110424 | HARLEN | 2011.04.19 |



| | | |
|---------|------------|--------|
| 5 | DRAIN | SHIELD |
| 4 | BLACK | 4 |
| 3 | GREEN | 3 |
| 2 | WHITE | 2 |
| 1 | RED | 1 |
| CONN.2 | WIRE COLOR | CONN.1 |
| PIN OUT | | |



RECOMMENDED PANEL CUT-OUT



- NOTES:
1. WATERPROOF RATE: IP67
IP67: IMMERSED IN 1M WATER FOR 30 MINUTES
 2. RATING:30V 1A
 3. TO CONFORM TO SINGATRON HAZARDOUS SUBSTANCE FREE SPEC.
 4. GREEN PRODUCT IDENTIFICATION LABEL ON PACKAGING: G.P. PASS
 5. FOR PANEL THICKNESS MAX OF 4.0mm

| | | | | |
|----|------------------|-----|---------------------------------------|-----------------|
| J | HEAT SHRINK TUBE | 2 | POLYOLIFEN ϕ 5.0 *L15 | BLACK |
| I | CONNECTOR | 5 | PHOSPHOR BRONZE | TIN PLATING |
| | | 1 | Nylon UL94V-0 | WHITE |
| H | CABLE | 1 | USB2.0 28#*1P+24#*2C+ADB,UV Resistant | BLACK |
| G | HOUSING | 1 | PPE(540Z) | BLACK |
| F | USB B RECEPTACLE | 1 | USB B TYPE | N/A |
| E | SCREW NUT | 1 | PPE(540Z) | BLACK |
| D | HEAT SHRINK TUBE | 2 | POLYOLIFEN ϕ 1.0 *L20 | BLACK |
| C | LIQUID GLUE | 1 | | BLACK |
| B | PCB | 1 | FR-4 | GREEN |
| A | GASKET | 1 | EPDM SHORE A 70' | BLACK |
| NO | DESCRIPTION | QTY | MATERIAL | PLATING & COLOR |

UNLESS OTHERWISE SPECIFIED TOLERANCES

SGconn Singatron Electronic(China) Co., Ltd.
信音電子(中國)股份有限公司

| | | | | |
|----------------------|----------|-------|-------------------------------|------------------------------------|
| DECIMALS: | ANGLES: | TITLE | WATERPROOF USB 2.0 RECEPTACLE | |
| X :±0.5 | X :±2' | DWN | Hardin 2011.04.21 | PART NO.2UB3003-X05100 |
| X.X :±0.3 | X.X :±1' | CHKD | Steve 2011.04.21 | SCALE 2:1 UNIT: mm |
| X.XX :±0.2 | | APVD | Max 2011.04.21 | SIZE: A3 SHEET:1 OF 1 REV:B |
| CUSTOMER COPY | | | | |