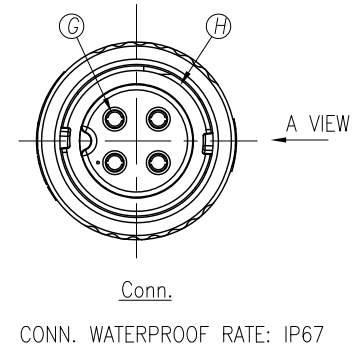
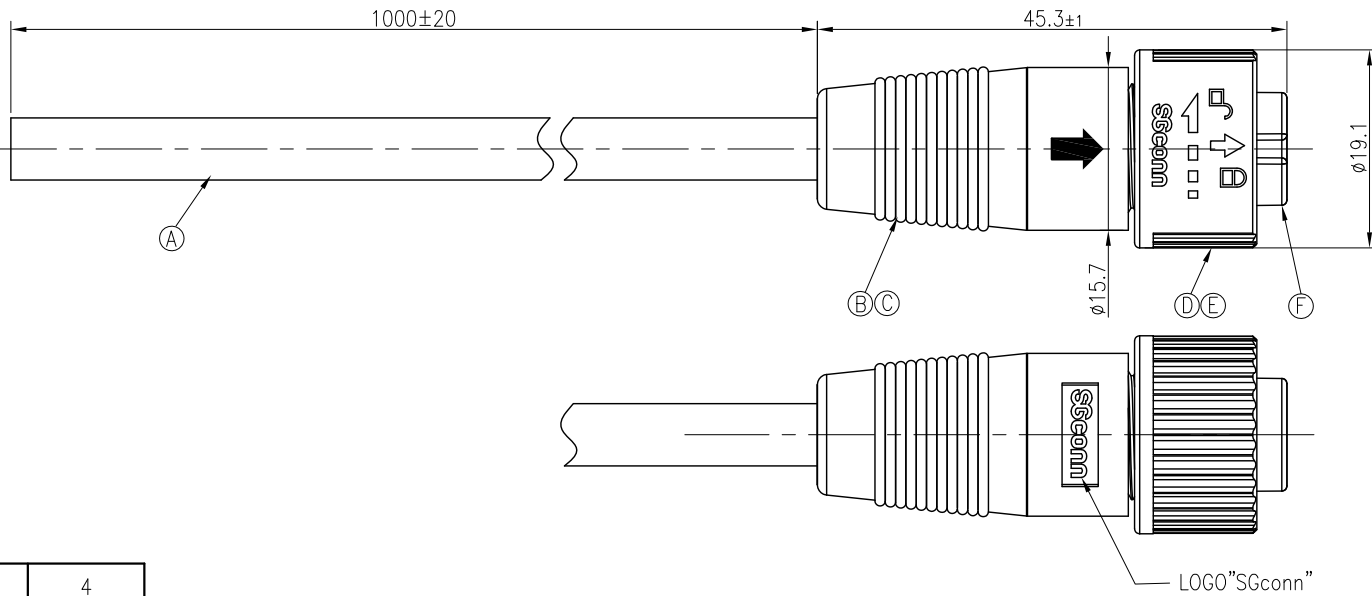
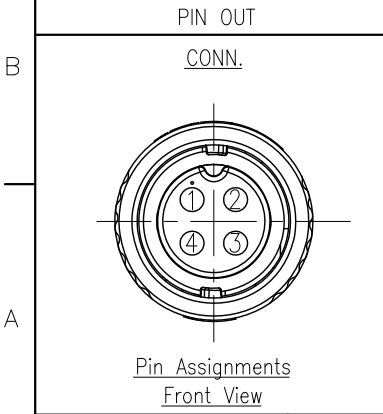


REV.	ECN NO OR DESCRIPTION	REVISED	DATE
A	PDR NO.:S131231-5B	Harlen	2015.1.22



GREEN	4
YELLOW	3
BLACK	2
RED	1
WIRE COLOR	CONN.



- NOTES:
- ELECTRICAL CHARACTERISTICS:
    - 1-1 CURRENT RATING: 10 AMPS.
    - 1-2 CONTACT RESISTANCE: 3 Ohm Max.
    - 1-3 INSULATION RESISTANCE: 100 MOhm Min. at 500VDC.
    - 1-4 BREAKDOWN VOLTAGE: 1000VAC PER MINUTE.
  - ENVIRONMENTAL:
    - 2-1 OPERATING TEMPERATURE: -20°C TO +80°C.
    - 2-2 SEALING REQUIREMENTS: IP67.
  - LIFE TEST: 1,000 CYCLES MIN..
  - OTHER GENERAL SPEC TO REFER "QUICK SERIES GENERAL SPEC".
  - FOR TECHNICAL DATA REFER TO YOUR LOCAL SINGATRON ELECTRONICS SALES OFFICE.
  - ALL DIMENSIONS ARE NOMINAL FOR REFERENCE ONLY UNLESS OTHERWISE STATED.
  - TO CONFORM TO SINGATRON HAZARDOUS SUBSTANCE FREE SPEC.
  - GREEN PRODUCT IDENTIFICATION LABEL ON PACKAGING **G.P. PASS**

H	O-RING	1	SILICONE	BLUE
G	FEMALE PIN	4	Phosphor Bronze	1~3u" GOLD PLATING OVER NICKEL PLATING
F	BODY	1	PA66	BLACK
E	SPRING	1	SUS	N/A
D	LOCK NUT	1	PC	GREY
C	INNER MOLD	1	TPU	BLACK
B	OVER MOLD	1	TPU	BLACK
A	CABLE	1	UL2464 18AWG*4C+T (UV) OD6.0	BLACK
NO	DESCRIPTION	QTY	MATERIAL	PLATING & COLOR
UNLESS OTHERWISE SPECIFIED TOLERANCES			Singatron Enterprise Co., Ltd. 信音企業股份有限公司	
DECIMALS:		ANGLES:		TITLE
X	:±0.5	X	:±2°	CIRCULAR SERIES QUICK TYPE, STANDARD SIZE FEMALE CONN. FEMALE 4PIN (180°, IP67)
X.X	:±0.3	X.X	:±1°	DWN Harlen
X.XX	:±0.2			<b>PART NO. 2QT3004-W04400H</b>
		CHKD	JF	SCALE 2:1 UNIT: mm
		APVD	STEVE	SIZE: A3 SHEET: 1 OF 1 REV: A
<b>CUSTOMER COPY</b>				