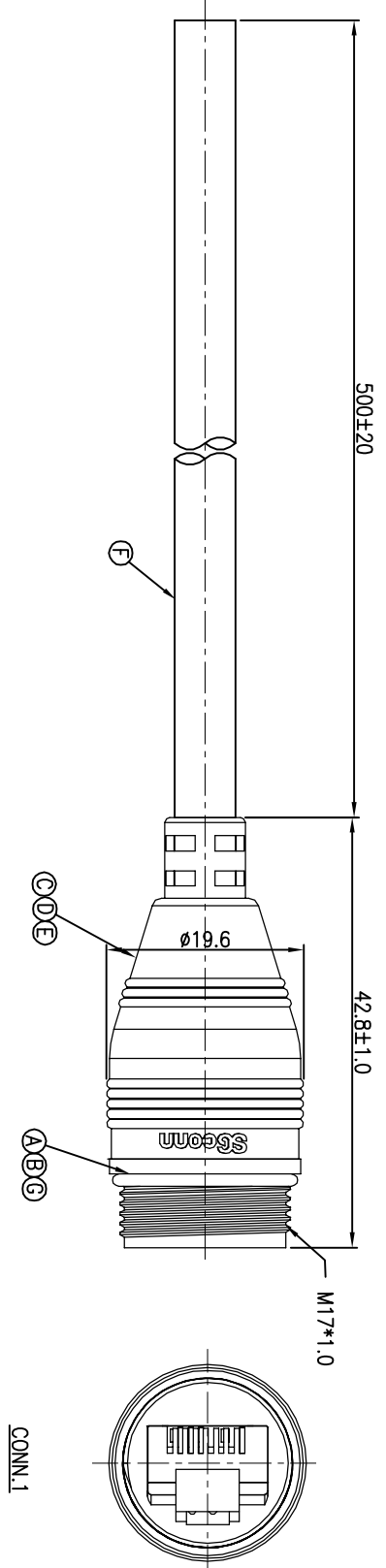
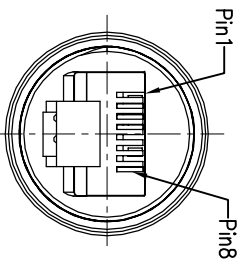


REV.	ECN NO OR DESCRIPTION	REVISED	DATE
A	PDR NO.:S160519-2A	Vicky	2016.05.17



BROWN	8]	TWIST
BROWN/WHITE	7]	TWIST
GREEN	6]	TWIST
BLUE/WHITE	5]	TWIST
BLUE	4]	TWIST
GREEN/WHITE	3]	TWIST
ORANGE	2]	TWIST
ORANGE/WHITE	1]	TWIST
WIRE COLOR	CONN.1		
PIN OUT			



PIN ASSIGNMENTS
FRONT VIEW

- NOTES:
1. WATERPROOF RATE: IP67
IP67: IMMERSED IN 1M WATER FOR 30 MINUTES
 2. ELECTRICAL CHARACTERISTICS:
2-1. RATING:125V 1.5A
2-2. CONTACT RESISTANCE: 3 ohm MAX.
2-3. DIELECTRIC WITHSTANDING VOLTAGE: 750V AC FOR ONE MINUTE
2-4. INSULATION RESISTANCE: 30M ohm MIN. MEASURED BY 300 VDC
 3. OTHER GENERAL SPEC. TO REFER "RJ45 SERIES SPEC".
 4. TO CONFORM TO SINGATRON HAZARDOUS SUBSTANCE FREE SPEC.
 5. GREEN PRODUCT IDENTIFICATION LABEL ON PACKAGING:

H	LIQUID GLUE	1	NA	BLACK
G	O-RING	1	SILICONE	BLACK
F	CABEL	1	PVC JACKET CAT5E FTP 24#*4P+MY+D+A/M	BLACK(PVC JACKET)
E	OVER MOLD	1	TPU	BLACK
D	INNER MOLD	1	PVC	BLACK
C	UV GLUE	1	N/A	WHITE
B	RJ45+PCB	1	N/A	N/A
A	HOUSING	1	PC	BLACK
NO	DESCRIPTION	QTY	MATERIAL	PLATING & COLOR

UNLESS OTHERWISE SPECIFIED TOLERANCES				
Singatron Enterprise Co., Ltd. 信登企業股份有限公司				
TITLE WATERPROOF RJ45 JACK,PVC CABLE				
DWN	Vicky	PART NO.2TJ3005-W05117H		
CHKD	Horten	SCALE 2:1	UNIT: mm	
APVD	Steve	SIZE: A3	SHEET: 1 OF 1	REV: A

DECIMALS:	ANGLES:			
X :±0.5	X :±2'			
X.X :±0.3	X.X :±1'			
X.XX :±0.2				

CUSTOMER COPY