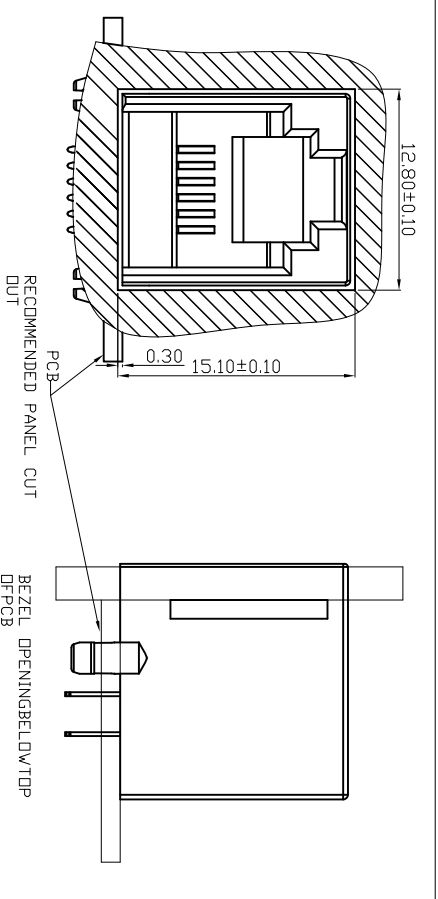
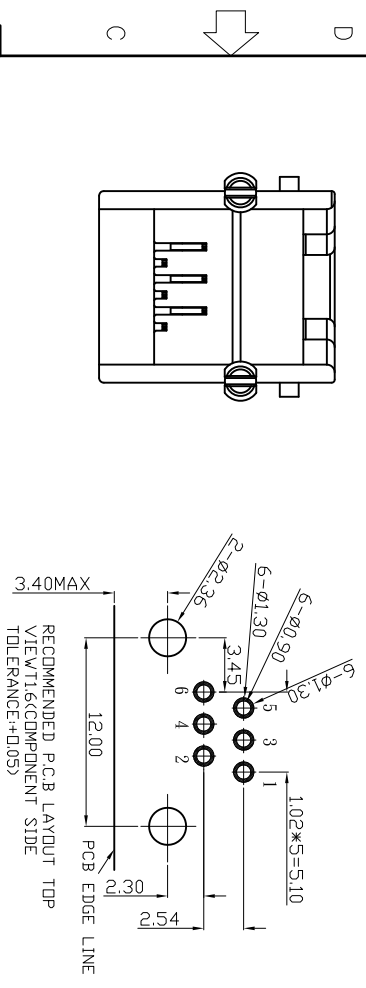
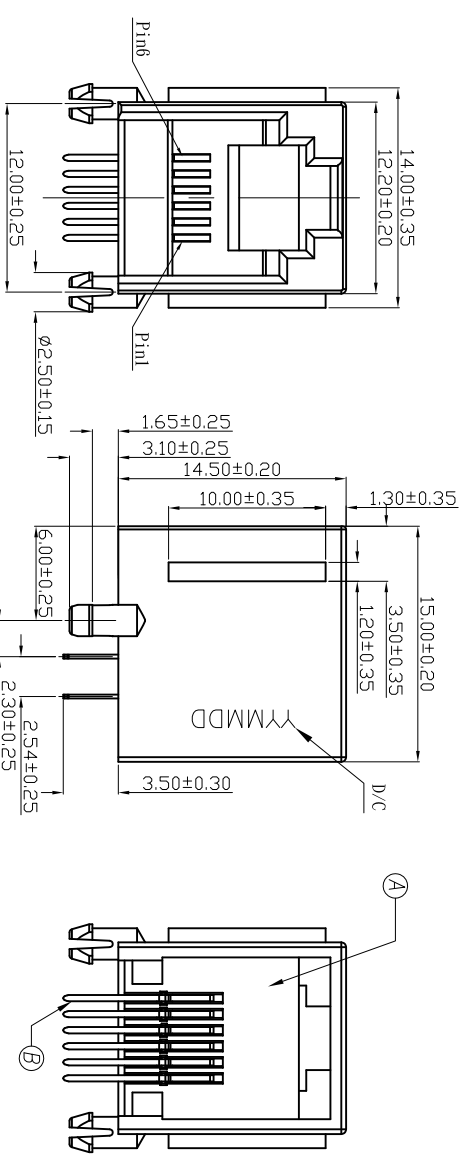


REV	ECN NO	OR DESCRIPTION	REVISED	DATE
1	PDR NO:1251020-2A		JIANGTAO	2025.10.20

SPECIFICATIONS:

- ELECTRICAL CHARACTERISTICS:**
- 1-1. CURRENT RATING: 1.5A MAX.
 - 1-2. VOLTAGE RATING: 150V MAX.
 - 1-3. CONTACT RESISTANCE: 50mohm MAX.(INITIAL)
100mohm MAX.(AFTER LIFE TEST)
 - 1-4. INSULATION RESISTANCE: 100Mohm MIN.
 - 1-5. Dielectric Withstanding Voltage : 500 VAC
- MECHANICAL CHARACTERISTICS:**
- 2-1. DURABILITY: 5000 CYCLES.
 - 2-2. INSERTION FORCE: 2.15kgf MAX. WITH LATCH DEPRESSED
 - 2-3. WITHDRAWAL FORCE: 3.0kgf MAX. WITH LATCH DEPRESSED
 - 2-4. OPERATING TEMPERATURE: -30℃ ~ +70℃
- 3. PACKAGING : REEL.
 - 4. TO CONFORM TO SINGATRON HAZARDOUS SUBSTANCE FREE SPEC
 - 5. HALOGEN FREE PRODUCT IDENTIFICATION LOGO ON THE PACKAGING:
 - 6. FOR REFLOW SOLDERING LEAD-FREE PROCESS



B	TERMINAL	6	C5210 T=0.25mm	FIELD 30μ MIN DN CONTACT SOLDERABLE SN 30μ MIN DN ALL DIMER IN 30μ MIN
A	BODY	1	PA10T UL 94V-0	BALCK
NO	DESCRIPTION	QTY	MATERIAL	PLATING & COLOR
UNLESS OTHERWISE SPECIFIED TOLERANCES				
Singatron Enterprise Co., Ltd. 信亨企業股份有限公司				
DECIMALS:		ANGLES:		
X	:±0.5	X	:±2°	
X.X	:±0.3	X.X	:±1°	
X.XX	:±0.2			
TITLE R145 6P 6C (板H4.50mm)				
DWG JIANGTAO PART NO.2R13176-006111F				
CHKD BOYE SCALE 4:1 UNIT: mm				
APVD LIAO SIZE: A3 SHEET: 1 OF 1 REV: 1				
CUSTOMER COPY				

1 2 3 4 5 6 7 8

X#機號: RD-06-045-A