

SGConn® Cable Gland/ Cable Joint

Introduction

SGConn® Cable Gland and Cable Joint connectors provide types M12, M16, M20, M25 and are used in on all types of electrical power, control, instrumentation, data and telecommunications cables. These connectors meet waterproof rating from IP67 to IP68 in IEC60529 standard.



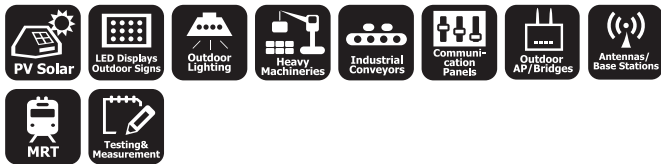
Cable Gland (Screw Type M12/ M16/ M20/ M25)



Cable Joint (I-Type and T-Type)

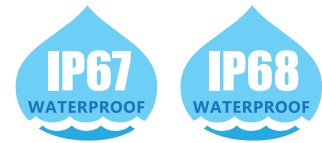
Applications

Applications for PV Solar, Industrial Automation (Industrial Robots, Packaging, Switches, Industrial Forklifts, Conveyors and Control Panels), Outdoor Displays/Signs, Building/Tunnel Lighting, Outdoor AP, Base Station and Testing & Measurement Equipment.



Certifications and Membership

SGConn® Circular Connectors are built to the highest quality and specifications and fulfills European Union regulations for RoHS, UL and major worldwide safety requirements.



Specifications

Material

- Connector Body: Nylon or PC, UL Recognized

Temperature Range

- Connector Body: -40°C to +100°C

IP Rating

- IP67
- IP68

(1) Series No. (2) Serial Number

2 CT 3100 - X XXXXX

2 CJ 3002¹ - X XXXXX

Selection Guide

Product No.	Cable Gland		Page
	Screw Thread	Cable OD	
2CT3100-X00067	M12 x 1.25	Ø4.0 mm ~ Ø6.5 mm	J02
2CT3100-X00085	M16 x 1.50	Ø6.0 mm ~ Ø9.0 mm	J02
2CT3100-X00089		Ø5.5 mm ~ Ø11.2 mm	
2CT3100-X00090	M20 x 1.50	Ø8.0 mm ~ Ø14.0 mm	J02
2CT3100-X00091		Sealing Plug	
2CT3100-X00147	M20 x 1.50	Ø3.0 mm ~ Ø4.0 mm	J02
2CT3100-X00148		Ø3.0 mm ~ Ø4.0 mm	
2CT3100-X00083		Ø3.0 mm ~ Ø6.0 mm	
2CT3100-X00084	M25 x 1.50	Ø10.0 mm ~ Ø16.0 mm	J03
2CT3100-X00167		Ø3.0 mm ~ Ø6.0 mm	

Product No.	Cable Joint			Page
	Type	Positions	Cable OD	
2CT3100-X0021X	I Type	2~6 ports	Ø4.0 mm ~ Ø9.0 mm	J03
2CT3100-X00342	I Type	2~10 ports	Ø6.5 mm ~ Ø11.2 mm	J03
2CJ3001-XXX300	I Type	1~4 ports	Ø7.0 mm ~ Ø10.0 mm	J04
2CJ3002-XXX300	T Type	1~4 ports	Ø7.0 mm ~ Ø10.0 mm	J04

Cable Gland (Screw Thread M12X1.25/ M16X1.5/ M20X1.5)

Part No. : 2CT3100

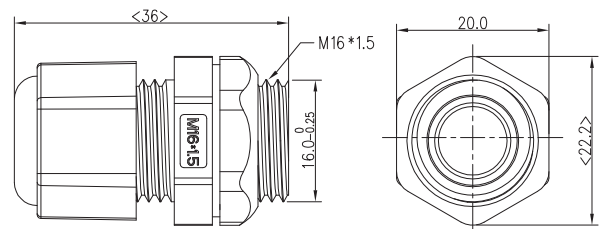
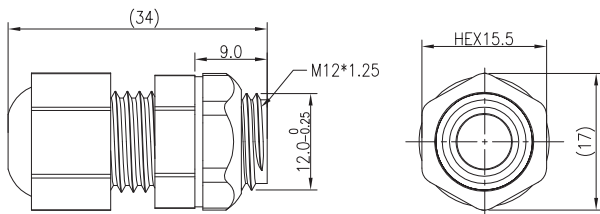
Part No.	Screw Thread	Cable OD	Part No.	Screw Thread	Cable OD
1 2CT3100-X00067	M12 X 1.25	Ø4.0 mm ~ Ø6.5 mm	2 2CT3100-X00085	M16 X 1.5	Ø6.0 mm ~ Ø9.0 mm



1



2



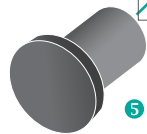
Part No.	Screw Thread	Cable OD	Part No.	Screw Thread	Cable OD
3 2CT3100-X00089	M20 X 1.5	Ø5.5 mm ~ Ø11.2 mm	6 2CT3100-X00147	M20 X 1.5	Ø3.0 mm ~ Ø4.0 mm
4 2CT3100-X00090	M20 X 1.5	Ø8.0 mm ~ Ø14.0 mm	7 2CT3100-X00148	M20 X 1.5	Ø3.0 mm ~ Ø4.0 mm
5 2CT3100-X00091	Sealing Plug	Ø5.5 mm ~ Ø11.2 mm			



3 4

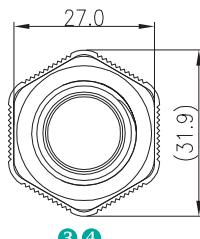
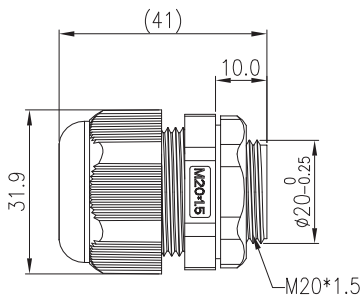


6 7

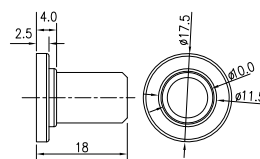


5

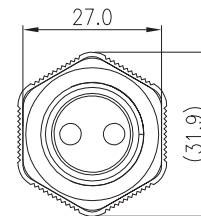
Sealing Plug for
P/N 2CT3100-X00089
P/N 2CT3100-X00090



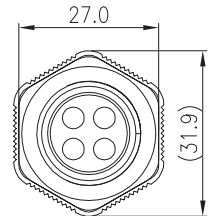
3 4



5



6

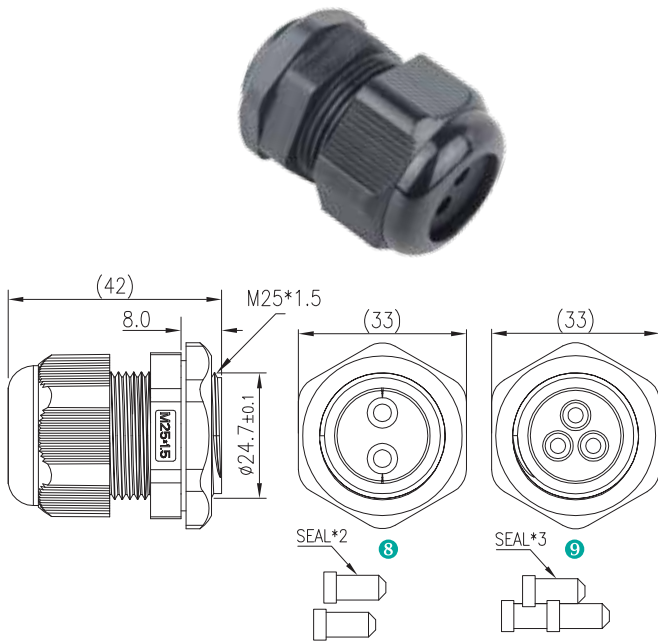


7

Cable Gland (Screw Thread M25X1.5)

Part No. : 2CT3100

Part No.	Screw Thread	Cable OD	Part No.	Screw Thread	Cable OD
⑧ 2CT3100-X00083	M25 X 1.5	Ø3.0 mm ~ Ø6.0 mm	⑩ 2CT3100-X00084	M25 X 1.5	Ø10.0 mm ~ Ø16.0 mm
⑨ 2CT3100-X00167	M25 X 1.5	Ø3.0 mm ~ Ø6.0 mm			

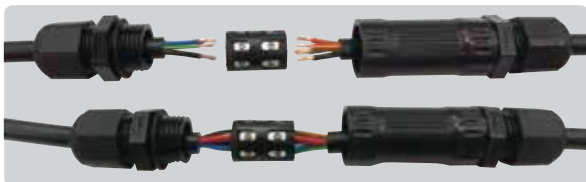
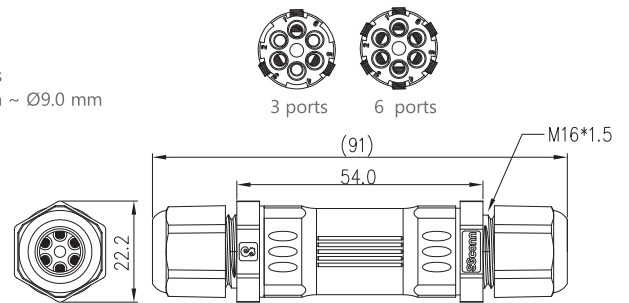


Cable Joint I Type

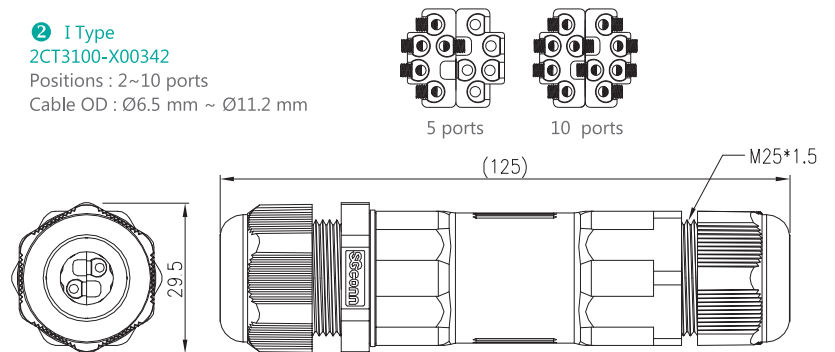
Part No. : 2CT3100



① I Type
2CT3100-X0021X
Positions : 2~6 ports
Cable OD : Ø4.0 mm ~ Ø9.0 mm



② I Type
2CT3100-X00342
Positions : 2~10 ports
Cable OD : Ø6.5 mm ~ Ø11.2 mm

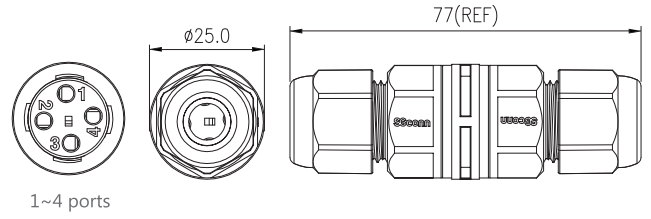


Cable Joint I Type/ T Type

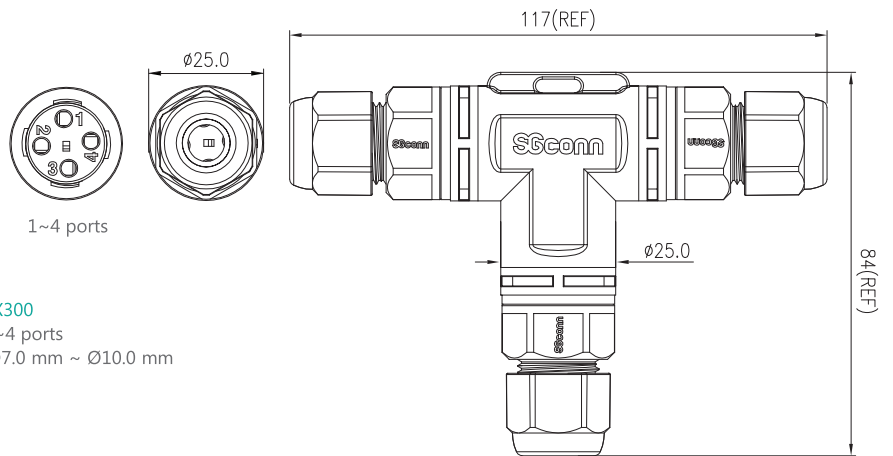
Part No. : 2CJ3001/ 2CJ3002



① I Type
2CJ3001-XXX300
Positions : 1~4 ports
Cable OD : Ø7.0 mm ~ Ø10.0 mm



② T Type
2CJ3002-XXX300
Positions : 1~4 ports
Cable OD : Ø7.0 mm ~ Ø10.0 mm





Since 1976
SINGATRON GROUP
Specialized Connector Manufacturer



✉ sales@singatron.com.tw
www.singatron.com.tw
www.singatron.com.cn

● **Taiwan Headquarters**

Singatron Enterprise Co., Ltd.

No.209, Sec. 2, Zhongzheng Road, Hukou Township
Hsinchu County 30343, Taiwan
Tel +886-3-599 2862 Fax +886-3-599 5601

● **Suzhou, China Plant**

Singatron Electronic (China) Co., Ltd.

Suzhou Singatron Auto Co., Ltd.

No.509, Xinfeng Road, Xujiang Industrial Park, Xukou Town
Suzhou City, Jiangsu Province 215164, China
Tel +86-512-6687 7188 Fax +86-512-6687 7288

● **Zhongshan, China Plant**

Singatron Electronic (Zhongshan) Co., Ltd.

Building A1& A3, No.17, Fuze Road, Gaoping Industrial Area, Sanjiao Town
Zhongshan City, Guangdong Province 528445, China
Tel +86-760-8540 3451 Fax +86-760-8540 3452

● **Yancheng, China Plant**

Suzhou Singatron Connector Co., Ltd., Yancheng Branch

No.8, Qianjin North Road, Bufeng Town Industrial Park, Economic Development Zone
Yancheng City, Jiangsu Province 224045, China
Tel +86-515-8882 7860 Fax +86-515-8882 7860-224

SGconn[®]
Waterproof Connectors

Singatron reserves the right to make any changes and updates for design and specification at any time without notice. More information please visit www.singatron.com.tw or contact us.