



✉ sales@singatron.com.tw
www.singatron.com.tw
www.singatron.com.cn

● Taiwan Headquarters

Singatron Enterprise Co., Ltd.

No.209, Sec. 2, Zhongzheng Road
Hukou Township, Hsinchu County 30343
Taiwan
Tel +886-3-599 2862
Fax +886-3-599 5601

● Suzhou, China Plant

Singatron Electronic (China) Co., Ltd.

Suzhou Singatron Auto Co., Ltd.

No.509, Xinfeng Road, Xujiang Industrial Park
Xukou Town, Suzhou City, Jiangsu Province 215164
China
Tel +86-512-6687 7188
Fax +86-512-6687 7288

● Zhongshan, China Plant

Singatron Electronic (Zhongshan) Co., Ltd.

Building A1& A3, No.17, Fuze Road, Gaoping Industrial Area
Sanjiao Town, Zhongshan City, Guangdong Province 528445
China
Tel +86-760-8540 3451
Fax +86-760-8540 3452

● Yancheng, China Plant

Suzhou Singatron Connector Co., Ltd., Yancheng Branch

No.8, Qianjin North Road
Bufeng Town Industrial Park, Economic Development Zone
Yancheng City, Jiangsu Province 224045
China
Tel +86-515-8882 7860
Fax +86-515-8882 7860-224

Singatron reserves the right to make any changes and updates for design and specification at any time without notice. More information please visit www.singatron.com.tw or contact us.

SGconn®
Waterproof Connectors



USB Charger

QC 3.0 ⚡

QC 3.0+PD3.0 ⚡



✉ sales@singatron.com.tw
www.singatron.com.tw
www.singatron.com.cn

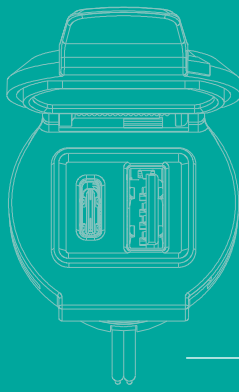
QC 3.0+PD3.0 ⚡

QC 3.0 ⚡

USB Charger



TYPE C
+
TYPE A



USB Charger

SGConn® SGConn® New USB Chargers provide wide range of Power Input Voltage including 12V, 24V, and 48V. The Power Output can be supported to 5V/4.2A, QC 3.0 or QC 3.0 with PD3.0. Universal USB ports are compatible with smart phones, tablets, GPS, MP3/MP4, Bluetooth Speakers/Headsets, Battery Cases, Power Banks and other USB-enabled devices. These products meet waterproof rating of IPX5, IP66 & IP67 protection.

SGConn® Connectors are built to the highest quality and specifications and fulfills European Union regulations for RoHS, UL, CE, FCC and major worldwide safety requirements.

Features

Electrical Characteristics

- Input Voltage: 12V~48V
- Output: [USB Type-A] 5V/4.2A, [USB Type-A QC 3.0], [USB Type-A QC 3.0 + Type-C PD3.0]

Temperature Range

- Connector Body: -20°C to +50°C

IP Rating

- IPX5
- IP66
- IP67

Installation Styles

- Panel Mount

CAP Design

- Automatically open/close with magnetic spring cap





Selection Guide

21 • USB 2.0 Type-A [QC3.0] + Type-C [PD3.0]

●●Dual Ports

22 • USB 2.0 Type-A [QC3.0]

●Single Port

23 • USB 2.0 Type-A [QC3.0]

●Single Port

24 • USB 2.0 Type-A

●Single Port/ ●●Dual Ports

QC3.0 USB Type-A + PD3.0 USB Type-C Charger

QC 3.0+PD3.0 ⚡

- Receptacle Port: Dual Ports
- USB Type: USB 2.0 Type-A + USB Type-C
- IP Rating: IPX5, IP66, IP67

- Installation Styles: Panel Mount
- Panel Thickness: Max 4.5mm
- Temperature Range: [Connector Body] -20°C to +60°C



**Front cap configured either normally open or normally closed

Part No.	Power Input	Power Output
① A01U8002-HXX	12V	5V/3A, 9V/2A, 12V/1.5A



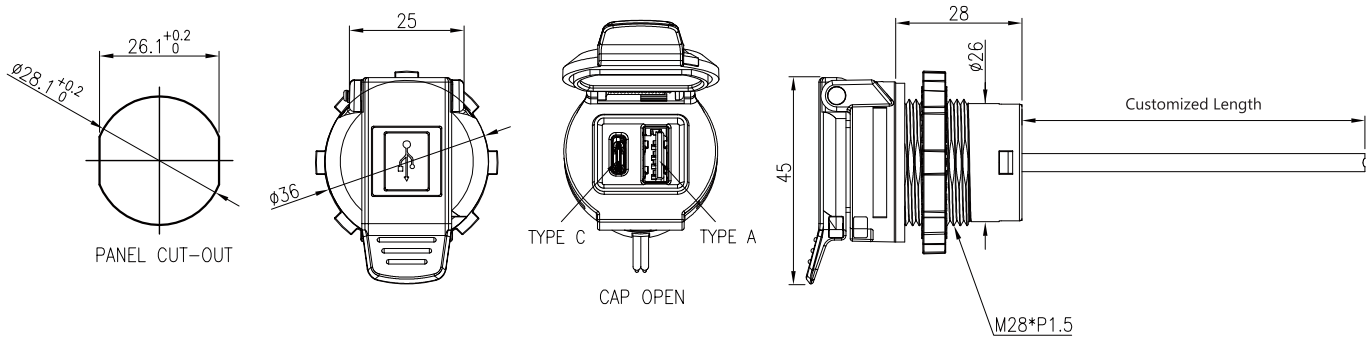
Auto Magnetic Cover



IP X5/ 66/ 67 Waterproof Rating



USB2.0 + Type-C Dual Ports



USB Charger

Power Input 12V, 24V, 48V

IPX5 • IP66 • IP67

QC3.0 USB Type-A Charger

- Receptacle Port: Single Port
- USB Type: USB 2.0 Type-A
- IP Rating: IPX5, IP66, IP67
- Installation Styles: Panel Mount
- Panel Thickness: Max 4.5mm
- Temperature Range: [Connector Body] -20°C to +60°C



**Front cap configured either normally open or normally closed

Part No.	Power Input	Power Output
① A01U8001-HXX	12V	5V/3A, 9V/2A, 12V/1.5A



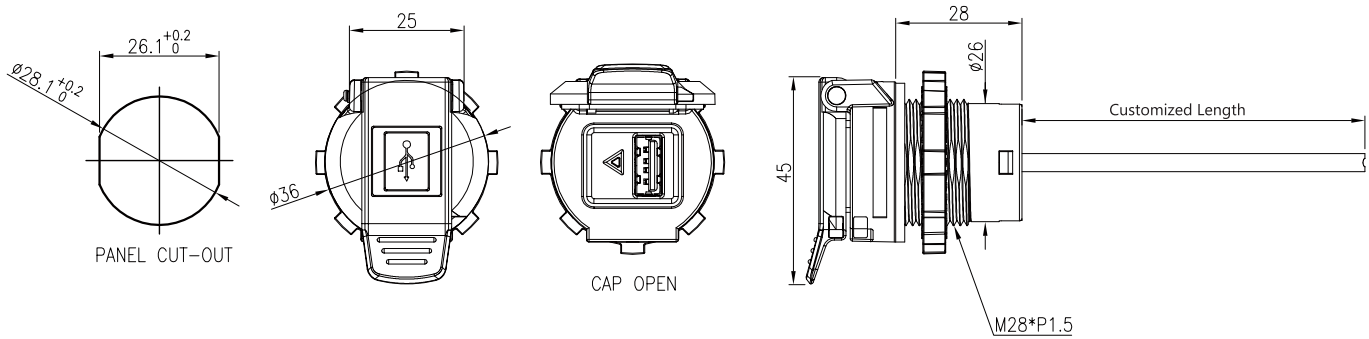
Auto Magnetic Cover



IP 66/67 Waterproof Rating



USB 2.0 Single Port



USB Charger

Power Input 12V, 24V, 48V

IPX5 • IP66 • IP67

QC3.0 USB Type-A Charger



- Receptacle Port: Single Port
- USB Type: USB 2.0 Type-A
- IP Rating: IP66, IP67

- Installation Styles: Panel Mount
- Panel Thickness: Max 3.0mm
- Temperature Range: [Connector Body] -20°C to +50°C



**Front cap configured either normally open or normally closed



Part No.	Power Input	Power Output
① 2CH3001-W05412H	12V	5V/2.1A



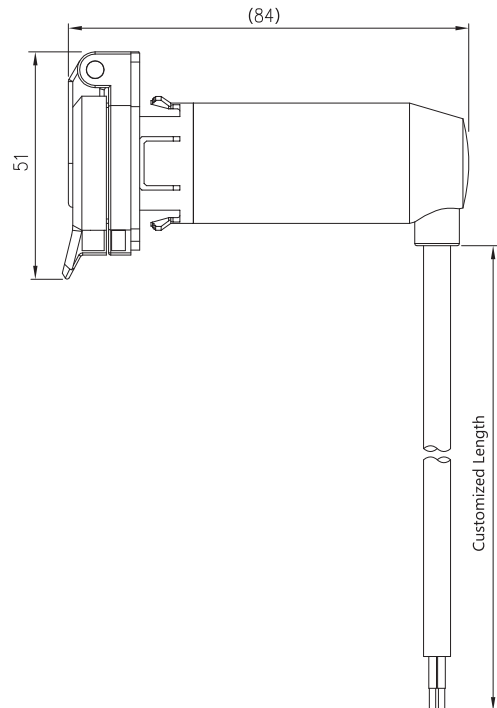
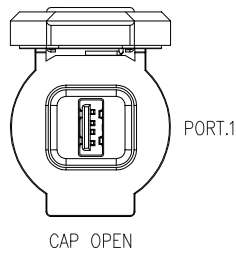
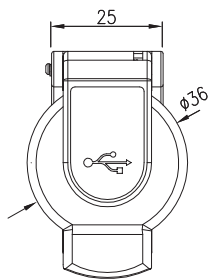
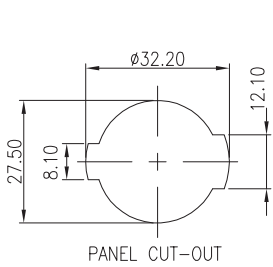
Auto Magnetic Cover



IP 66/67 Waterproof Rating



USB 2.0 Single Port



USB Charger

Power Input 12V, 24V, 48V

IPX5 • IP66 • IP67

USB 2.0 Type-A Charger

- Receptacle Port: Single Port, Dual Ports
- USB Type: USB 2.0 Type-A
- IP Rating: IP66, IP67

- Installation Styles: Panel Mount
- Panel Thickness: Max 3.0mm
- Temperature Range: [Connector Body] -20°C to +50°C



**Front cap configured either normally open or normally closed



Part No.	Power Input	Power Output
① 2CH3001-W054XXH	12V	5V/4.2A (2.1A+2.1A)
② 2CH3002-W055XXH	12V-24V	5V/4.8A (2.4A+2.4A)
③ 2CH3003-W054XXH	48V	5V/4.2A (2.1A+2.1A)



Auto Magnetic Cover



IP 66/67 Waterproof Rating



USB 2.0 Dual Ports

