

**USB****IP67**

USB 2.0 Type-A • USB 2.0 Type-B

SGConn® USB Connectors



Introduction

SGConn® USB connector is one of waterproof product series. These series meet waterproof rating IP67 in IEC60529 standard and can fully compliant with current USB 2.0 specification and Low Power Efficiency.

Manufacturer Identifications



USB 2.0 Type-A



USB 2.0 Type-B

Applications

Applications for PV Solar, Outdoor Displays, Control panels for Industrial Automation, Audio Entertainment for Marine Solution, Light Electric Vehicle, Testing & Measurement and Safety & Warning System.



Certifications and Membership

SGConn® Circular Connectors are built to the highest quality and specifications and fulfills European Union regulations for RoHS, UL and major worldwide safety requirements.



Specifications

Current Rating

- 1A

Speed

- 480 Mbps

Material

- Contact: Copper Alloy, Gold Plated
- Connector Body: Nylon +GF/PPE, UL Recognized
- Shield: Copper Alloy, Nickel Plated

Temperature Range

- -20°C to +80°C

IP Rating

- IP67

Contact Resistance

- ≤30mΩ (Initial)

Insulation Resistance

- ≥100MΩ at DC 300V

Durability

- 500 cycles minimum

Breakdown Voltage

- ≥AC 500V/ 1 minute

Corrosion

- 48 hours salt spray contact

Selection Guide

(1) Series No.

----- (2) Current Rating: [1] 1A

(2) (3) ----- (3) Serial Number

**UB
2 UP 3 XXX - X 05 1 XX**

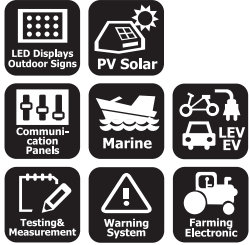
Product No.		USB Connectors	Mating Parts	Page
USB 2.0 Type-A	USB 2.0 Type-B			
2UB3001-X05168	-	USB Jack, Panel Mount Type	2UP3000/ 2UP3002/ 2UP3005	F02
2UB3001-X05113	-	USB Jack, Panel Mount Type	2UP3000/ 2UP3002/ 2UP3005	F02
2UB3001-X05131	-	USB Jack, Panel Mount Type	2UP3000/ 2UP3002/ 2UP3005	F02
2UP3000-X05100	-	USB Plug, Field Installable	2UB3001	F03
2UP3002-X05100	-	USB Plug, Molded with Cable (180°)	2UB3001	F03
2UP3005-X05100	-	USB Plug, Molded with Cable (90°)	2UB3001	F03
	2UB3003-X05100	USB Jack, Panel Mount Type	2UP3004	F04
	2UP3004-X05100	USB Plug, Molded with Cable (180°)	2UB3003	F04
2UB3001-X0000W/ 2UB3001-X0007W		Accessory; Waterproof Cap	-	F05

USB 2.0 Type-A [Jack]

Part No. : 2UB3001-X051XX

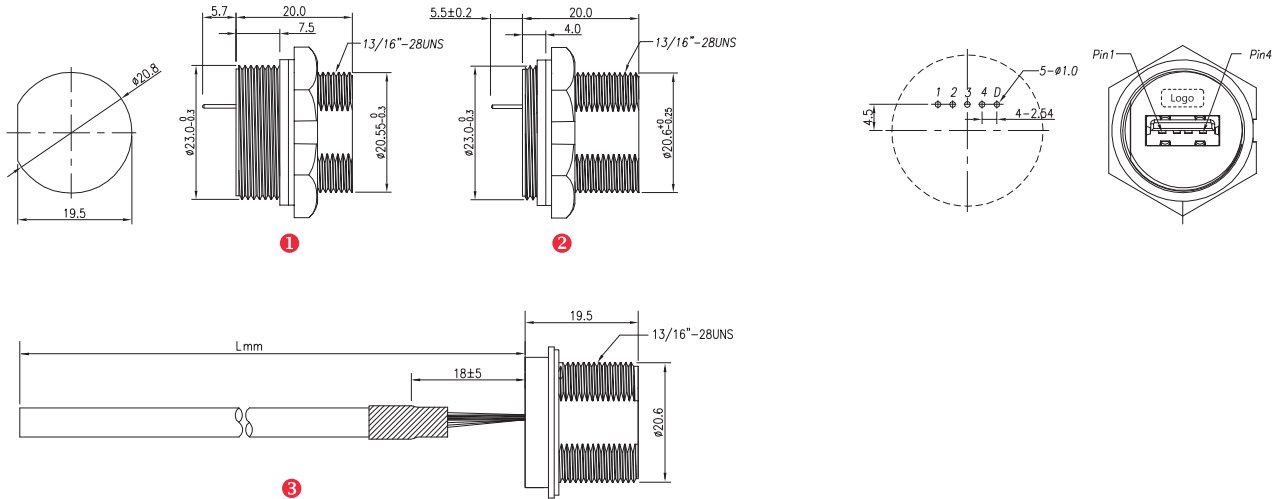
Panel Mount Connector

■ Mating Style : Screw Type ■ Current Rating : 30V/ 1A



Physical Dimension, Pin Configurations and PCB Layouts

Panel Thickness : ① Max 1.5 mm; ② ③ Max 4.0 mm



Mating Parts



2UP3000-X05100

2UP3002-X05100H

2UP3005-X05100H

Accessories



2UB3001-X0000W

2UB3001-X0007W



USB

IP67

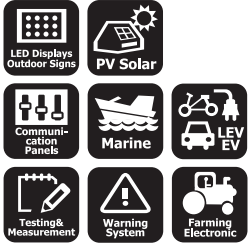
USB 2.0 Type-A • USB 2.0 Type-B

USB 2.0 Type-A [Plug]

Part No. : 2UP3000-X05100/ 2UP3002-X05100/ 2UP3005-X05100

Field Installable/ Molded with Cable

- Mating Style : Screw Type
- Current Rating : 30V/ 1A



1 2UP3000-X05100
Field Installable



2 2UP3002-X05100
Molded with Cable (180°)

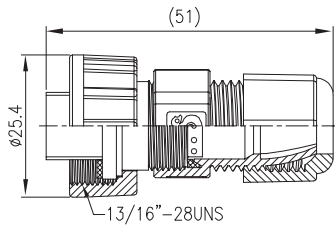


3 2UP3005-X05100
Molded with Cable (90°)

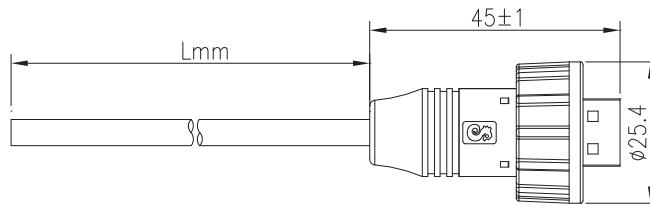
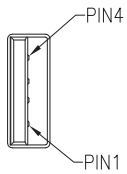
Physical Dimension, Pin Configurations and PCB Layouts

Seals for Cable OD : 1 Ø3.0 ~ Ø6.0mm

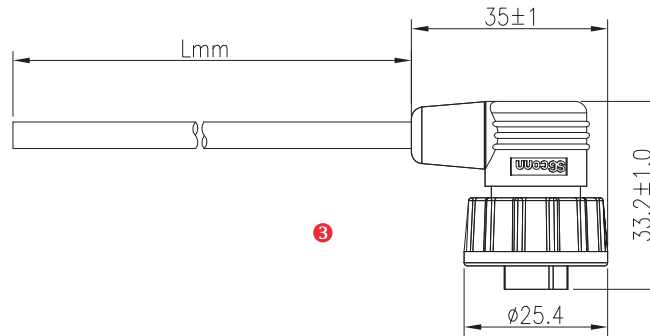
Cable OD : 2 3 Max Ø5.0 mm



1



2



3

Mating Parts



2UB3001-X05168



2UB3001-X05113



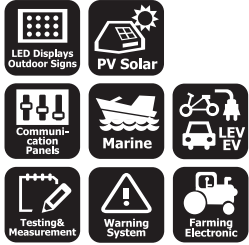
2UB3001-X05131

USB 2.0 Type-B [Jack]

Part No. : 2UB3003-X05100

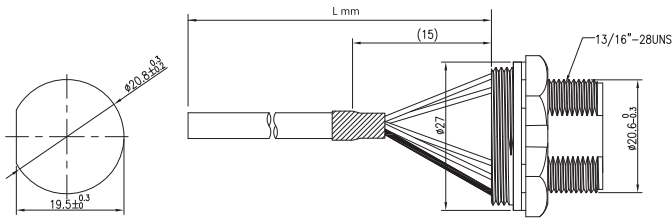
Panel Mount Connector

- Mating Style : Screw Type
- Current Rating : 30V/ 1A

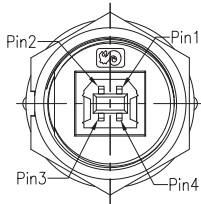


Physical Dimension

Panel Thickness : Max 4.0 mm
Cable Length : Standard 1000mm (L: customized)



Pin Configurations and PCB Layouts



Mating Parts



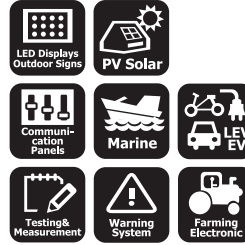
2UP3004-X05100

USB 2.0 Type-B [Plug]

Part No. : 2UP3004-X05100

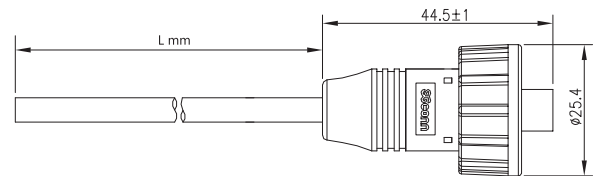
Molded with Cable

- Mating Style : Screw Type
- Current Rating : 30V/ 1A

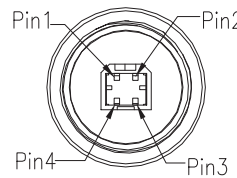


Physical Dimension

Cable OD : Max Ø5.0 mm
Cable Length : Standard 1000mm (L: customized)



Pin Configurations and PCB Layouts



Mating Parts



2UB3003-X05100

Accessories



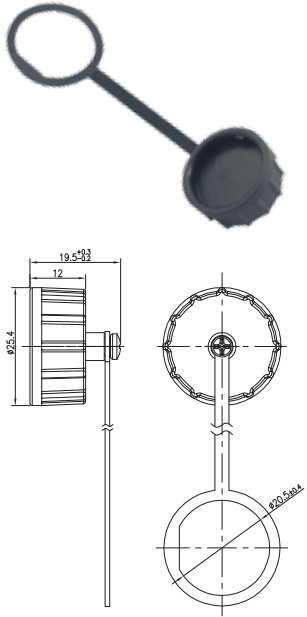
2UB3001-X0000W

2UB3001-X0007W

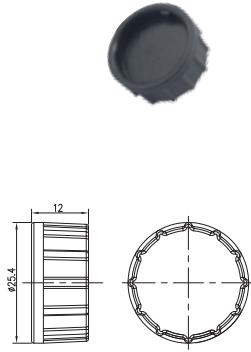
USB 2.0 Type-A/ Type-B

Waterproof Cap

2UB3001-X0000W



2UB3001-X0007W





Since 1976
SINGATRON GROUP
Specialized Connector Manufacturer



✉ sales@singatron.com.tw
www.singatron.com.tw
www.singatron.com.cn

● **Taiwan Headquarters**

Singatron Enterprise Co., Ltd.

No.209, Sec. 2, Zhongzheng Road, Hukou Township
Hsinchu County 30343, Taiwan
Tel +886-3-599 2862 Fax +886-3-599 5601

● **Suzhou, China Plant**

Singatron Electronic (China) Co., Ltd.

Suzhou Singatron Auto Co., Ltd.

No.509, Xinfeng Road, Xujiang Industrial Park, Xukou Town
Suzhou City, Jiangsu Province 215164, China
Tel +86-512-6687 7188 Fax +86-512-6687 7288

● **Zhongshan, China Plant**

Singatron Electronic (Zhongshan) Co., Ltd.

Building A1& A3, No.17, Fuze Road, Gaoping Industrial Area, Sanjiao Town
Zhongshan City, Guangdong Province 528445, China
Tel +86-760-8540 3451 Fax +86-760-8540 3452

● **Yancheng, China Plant**

Suzhou Singatron Connector Co., Ltd., Yancheng Branch

No.8, Qianjin North Road, Bufeng Town Industrial Park, Economic Development Zone
Yancheng City, Jiangsu Province 224045, China
Tel +86-515-8882 7860 Fax +86-515-8882 7860-224

SGconn[®]
Waterproof Connectors

Singatron reserves the right to make any changes and updates for design and specification at any time without notice. More information please visit www.singatron.com.tw or contact us.