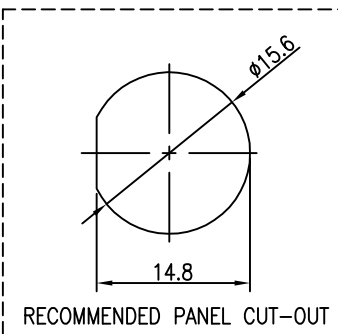
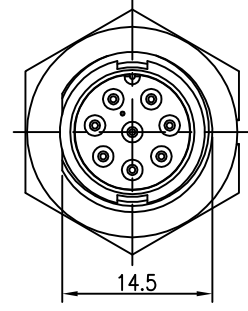
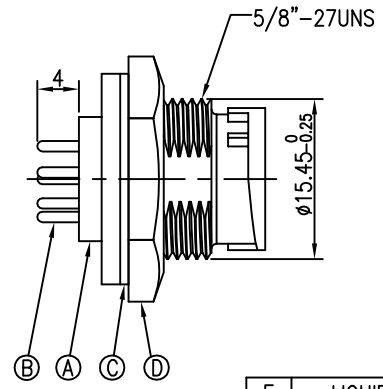
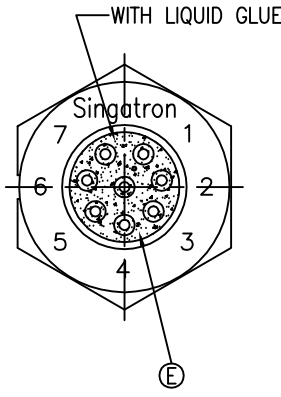
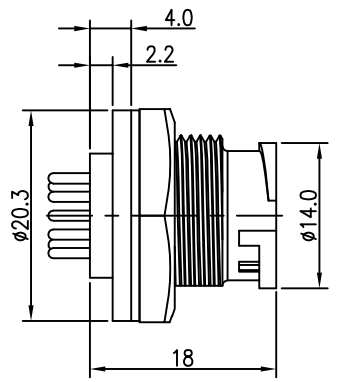


	1	2	3
	P/N:	Pin Assignments Front View	PCB Layout
F	2CT3000-X04300		
E	2CT3000-X05300		
D	2CT3000-X06300		
C	2CT3000-X07300		
B	2CT3000-X07300		
A	2CT3000-X08300		

REV.	ECN NO OR DESCRIPTION	REVISED	DATE
A	PDR NO.:T080815-3H	Steve	2009.04.25
B	ECN NO.:S121109	YF	201403.26

- NOTES:
- WATERPROOF RATE: IP67
IP67: IMMERSED IN 1M WATER FOR 30 MINUTES
 - ELECTRICAL CHARACTERISTICS
TEMPERATURE RANGE: -40°C TO +100°C
CURRENT RATING: 5A
DIELECTRIC WITHSTANDING VOLTAGE: 500V AC FOR ONE MINUTE
 - SPECIFICATIONS:SEE "CIRCULAR SERIES SPECIFICATIONS".
 - TO CONFORM TO SINGATRON HAZARDOUS SUBSTANCE FREE SPEC.
 - GREEN PRODUCT IDENTIFICATION LABEL ON PACKAGING: **G.P. PASS**
 - FOR PANEL THICKNESS MAX OF 4.0mm
 - ORDER INFORMATION: 2CT3000-X0X300
- 3-CURRENT RATING 5A
04- 4 PIN
05- 5 PIN
06- 6 PIN
07- 7 PIN
08- 8 PIN



E	LIQUID GLUE	1	N/A	BLACK
D	NUT	1	NYLON+GF	BLACK
C	GASKET	1	EPDM	BLACK
B	MALE PIN	*	BRASS	6u" GOLD PLATED OVER NICKEL PLATING
A	BODY	1	NYLON+GF	BLACK
NO	DESCRIPTION	QTY	MATERIAL	PLATING & COLOR
UNLESS OTHERWISE SPECIFIED TOLERANCES				
Singatron Electronic(China) Co., Ltd. 信音電子(中國)股份有限公司				
DECIMALS:		ANGLES:	TITLE	
X	:±0.5	X	:±2°	CIRCULAR STANDARD SIZE (PCB/LOCK TYPE)
X.X	:±0.3	X.X	:±1°	MALE CONN. MALE (4~8) PIN(5A)
X.XX	:±0.2			
DWN	YF	PART NO.2CT3000-X0X300		
CHKD	Harlen	SCALE 2:1	UNIT: mm	
APVD	Quan	SIZE: A3	SHEET:1 OF 1	REV: B
CUSTOMER COPY				