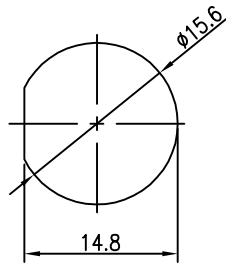
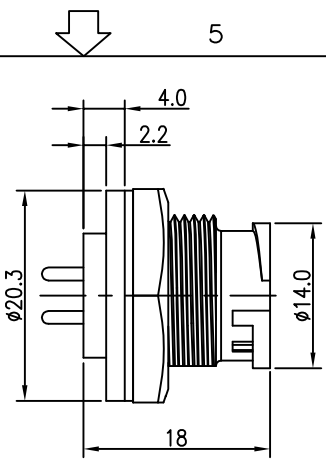


1 2 3 4 5 6 7 8



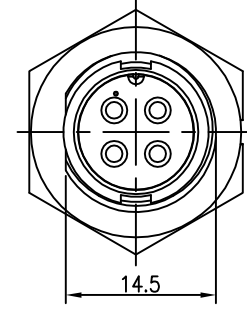
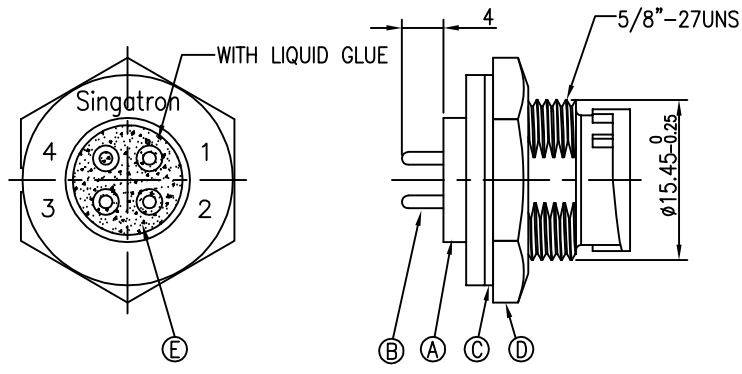
RECOMMENDED PANEL CUT-OUT



REV.	ECN NO OR DESCRIPTION	REVISED	DATE
A	PDR NO.:T080815-3C	Steve	2009.04.25
B	ECN NO.:S121109	YF	2014.03.26

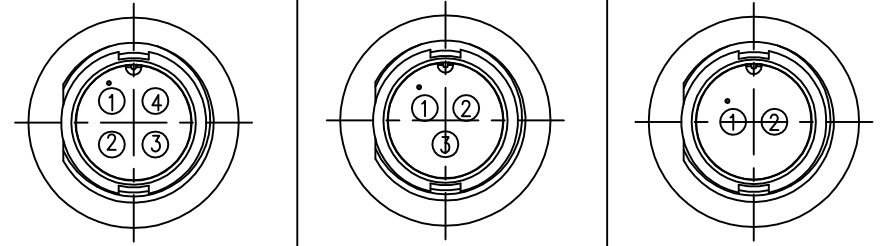
- NOTES:
- WATERPROOF RATE: IP67  
IP67: IMMERSED IN 1M WATER FOR 30 MINUTES
  - ELECTRICAL CHARACTERISTICS  
TEMPERATURE RANGE: -40°C TO +100°C  
CURRENT RATING: 10A  
DIELECTRIC WITHSTANDING VOLTAGE: 1000V AC FOR ONE MINUTE
  - SPECIFICATIONS:SEE "CIRCULAR SERIES SPECIFICATIONS".
  - TO CONFORM TO SINGATRON HAZARDOUS SUBSTANCE FREE SPEC.
  - GREEN PRODUCT IDENTIFICATION LABEL ON PACKAGING: **G.P. PASS**
  - FOR PANEL THICKNESS MAX OF 4.0mm
  - ORDER INFORMATION: 2CT3000-XOX400

- 4- CURRENT RATING 10A
- 02- 2 PIN
- 03- 3 PIN
- 04- 4 PIN

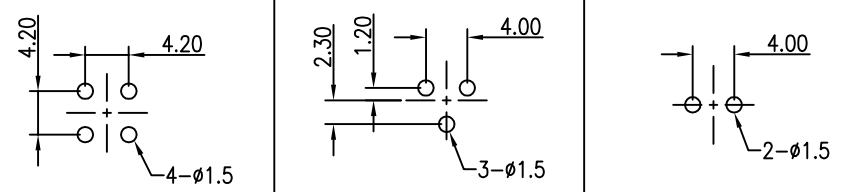


P/N: 2CT3000-X04400      2CT3000-X03400      2CT3000-X02400

PIN ASSIGNMENTS FRONT VIEW



PCB LAYOUT



E	LIQUID GLUE	1	N/A	BLACK
D	NUT	1	NYLON+GF	BLACK
C	GASKET	1	EPDM	BLACK
B	MALE PIN	*	BRASS	6u" GOLD PLATED OVER NICKEL PLATING
A	BODY	1	NYLON+GF	BLACK
NO	DESCRIPTION	QTY	MATERIAL	PLATING & COLOR
UNLESS OTHERWISE SPECIFIED TOLERANCES		Singatron Electronic(China) Co., Ltd. 信音電子(中國)股份有限公司		
DECIMALS:		TITLE		
X	:±0.5	CIRCULAR STANDARD SIZE (PCB/LOCK TYPE)		
X.X	:±0.3	MALE CONN. MALE (2~4) PIN(10A)		
X.XX	:±0.2	DWN	YF	<b>PART NO.2CT3000-XOX400</b>
		CHKD	Harlen	SCALE 2:1 UNIT: mm
		APVD	Quan	SIZE: A3 SHEET:1 OF 1 REV: B
<b>CUSTOMER COPY</b>				

1 2 3 4 5 6 7 8