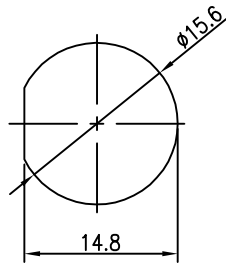
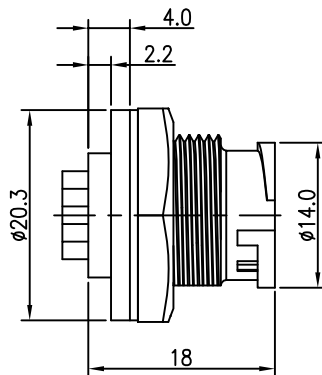


REV.	ECN NO OR DESCRIPTION	REVISED	DATE
A	PDR NO.:T080815-3T	Steve	2009.04.25



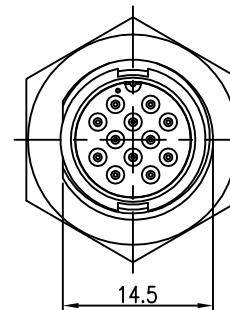
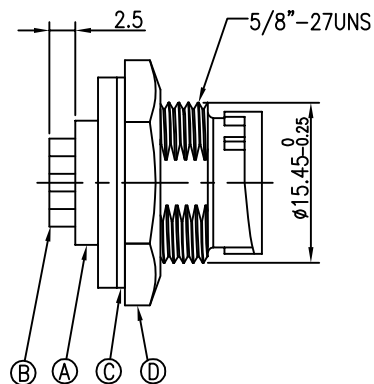
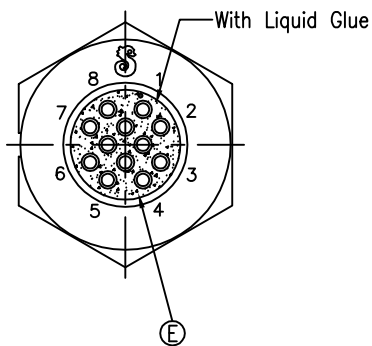
RECOMMENDED PANEL CUT-OUT



NOTES:

1. WATERPROOF RATE: IP67  
IP67: IMMERSED IN 1M WATER FOR 30 MINUTES
2. ELECTRICAL CHARACTERISTICS  
TEMPERATURE RANGE: -40°C TO +100°C  
CURRENT RATING: 2A  
DIELECTRIC WITHSTANDING VOLTAGE: 500V AC FOR ONE MINUTE
3. SPECIFICATIONS:SEE "CIRCULAR SERIES SPECIFICATIONS".
4. TO CONFORM TO SINGATRON HAZARDOUS SUBSTANCE FREE SPEC.
5. GREEN PRODUCT IDENTIFICATION LABEL ON PACKAGING: **G.P. PASS**
6. FOR PANEL THICKNESS MAX OF 4.0mm
7. ORDER INFORMATION: 2CT3002-X1X200

2-CURRENT RATING 2A  
12-12 PIN  
10-10PIN



P/N:	2CT3002-X12200	2CT3002-X10200
	PIN ASSIGNMENTS FRONT VIEW	PIN ASSIGNMENTS FRONT VIEW

E	LIQUID GLUE	1		BLACK
D	NUT	1	NYLON+GF	BLACK
C	GASKET	1	EPDM	BLACK
B	MALE PIN	*	BRASS	6u" GOLD PLATED OVER NICKEL PLATING
A	BODY	1	NYLON+GF	BLACK
NO	DESCRIPTION	QTY	MATERIAL	PLATING & COLOR
UNLESS OTHERWISE SPECIFIED TOLERANCES			Singatron Electronic(China) Co., Ltd. 信音電子(中國)股份有限公司	
DECIMALS:		ANGLES:		TITLE
X	:±0.5	X	:±2°	CIRCULAR STANDARD SIZE (SOLDER/LOCK TYPE)
X.X	:±0.3	X.X	:±1°	MALE CONN. MALE (10~12) PIN(2A)
X.XX	:±0.2			
DWN	Steve	PART NO.2CT3002-X12200		
CHKD	Quan	SCALE 2:1	UNIT: mm	
APVD	Max	SIZE: A3	SHEET:1 OF 1	REV: A
<b>CUSTOMER COPY</b>				