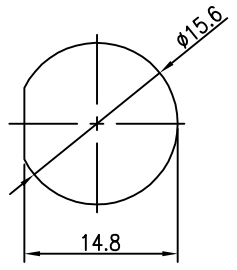


1 2 3 4 5 6 7 8

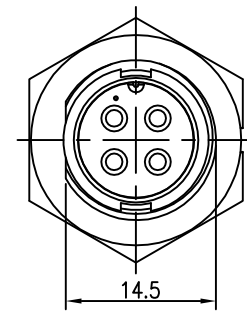
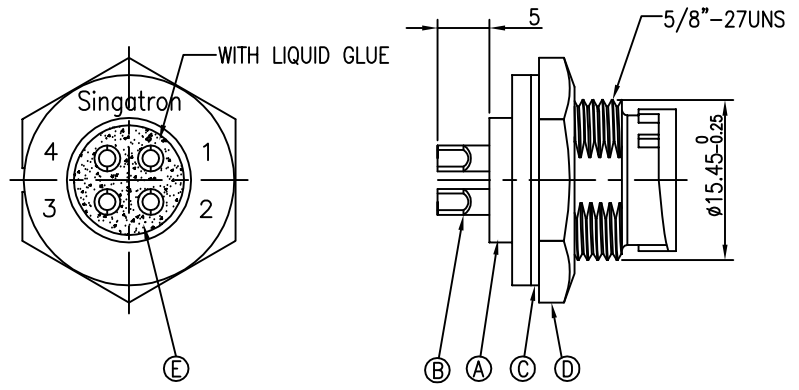
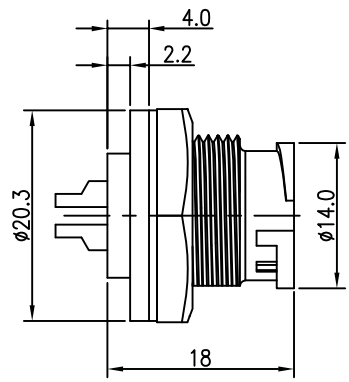
REV.	ECN NO OR DESCRIPTION	REVISED	DATE
A	PDR NO.:T080815-3M	Steve	2009.04.25
B	ECN NO.:S121109	YF	201403.26

- NOTES:
- WATERPROOF RATE: IP67
IP67: IMMERSED IN 1M WATER FOR 30 MINUTES
 - ELECTRICAL CHARACTERISTICS
TEMPERATURE RANGE: -40°C TO +100°C
CURRENT RATING: 10A
DIELECTRIC WITHSTANDING VOLTAGE: 1000V AC FOR ONE MINUTE
 - SPECIFICATIONS:SEE "CIRCULAR SERIES SPECIFICATIONS".
 - TO CONFORM TO SINGATRON HAZARDOUS SUBSTANCE FREE SPEC.
 - GREEN PRODUCT IDENTIFICATION LABEL ON PACKAGING: **G.P. PASS**
 - FOR PANEL THICKNESS MAX OF 4.0mm
 - ORDER INFORMATION: 2CT3002-XOX400

- 4-CURRENT RATING 10A
- 02- 2 PIN
- 03- 3 PIN
- 04- 4 PIN



RECOMMENDED PANEL CUT-OUT



P/N:	2CT3002-X04400	2CT3002-X03400	2CT3002-X02400
	PIN ASSIGNMENTS FRONT VIEW	PIN ASSIGNMENTS FRONT VIEW	PIN ASSIGNMENTS FRONT VIEW

E	LIQUID GLUE	1	N/A	BLACK
D	NUT	1	NYLON+GF	BLACK
C	GASKET	1	EPDM	BLACK
B	MALE PIN	*	BRASS	6u" GOLD PLATED OVER NICKEL PLATING
A	BODY	1	NYLON+GF	BLACK
NO	DESCRIPTION	QTY	MATERIAL	PLATING & COLOR
UNLESS OTHERWISE SPECIFIED TOLERANCES				
Singatron Electronic(China) Co., Ltd. 信音電子(中國)股份有限公司				
DECIMALS:		ANGLES:		
X	:±0.5	X	:±2°	
X.X	:±0.3	X.X	:±1°	
X.XX	:±0.2			
TITLE	CIRCULAR STANDARD SIZE (SOLDER/LOCK TYPE) MALE CONN. MALE (2~4)PIN(10A)			
DWN	YF	PART NO.2CT3002-XOX400		
CHKD	Harlen	SCALE 2:1	UNIT: mm	
APVD	Quan	SIZE: A3	SHEET:1 OF 1	REV: B
CUSTOMER COPY				

1 2 3 4 5 6 7 8