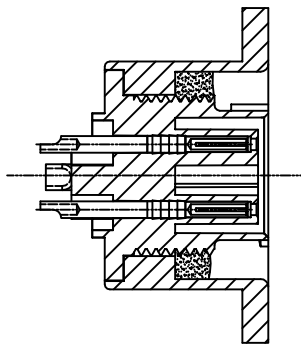
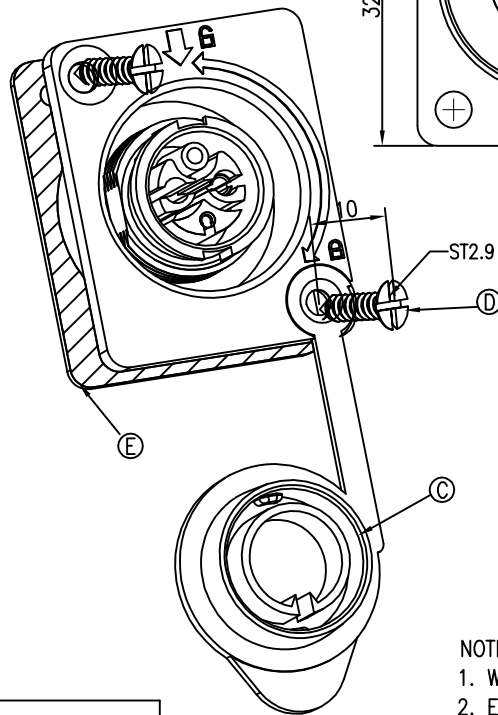
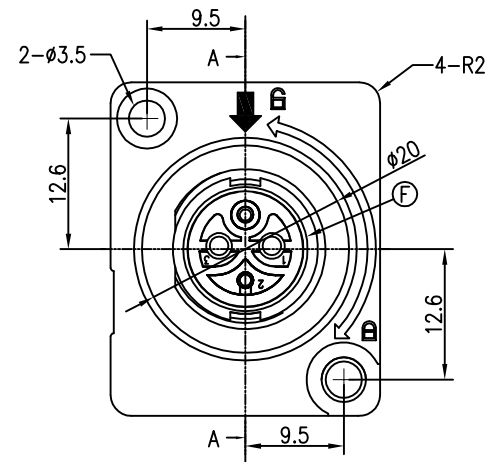
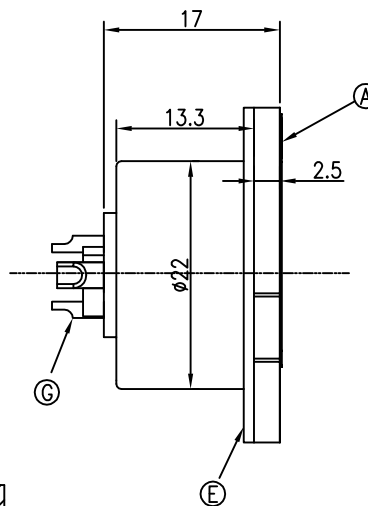
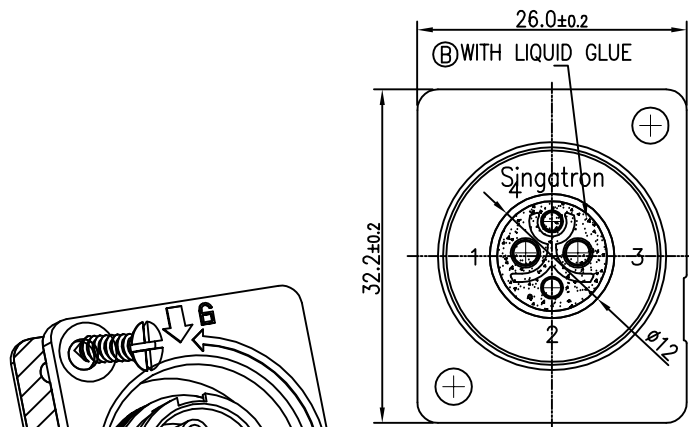


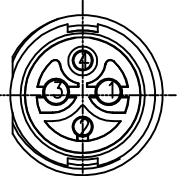
REV.	ECN NO OR DESCRIPTION	REVISED	DATE
B	ECN NO: S110538	Harlen	2011.06.01
C	ECN NO:S110707	HARLEN	2011.8.2
D	ECN NO.:S121109	YF	2014.03.27



A-A SECTION

NOTES:

1. WATERPROOF RATE: IP55
2. ELECTRICAL CHARACTERISTICS  
TEMPERATURE RANGE: -20°C TO +80°C  
CURRENT RATING: 5+10A
3. SPECIFICATIONS:SEE "CIRCULAR SERIES SPECIFICATIONS".
4. TO CONFORM TO SINGATRON HAZARDOUS SUBSTANCE FREE SPEC.
5. GREEN PRODUCT IDENTIFICATION LABEL ON PACKAGING: G.P. PASS
6. 螺絲, 防塵蓋以附件形式包裝出貨
7. THE TORQUE OF SCREWING 3.5KF MAX
8. AFTER 5000 CYCLES LIFE TEST OF DUST CAP WITHOUT ANY FRACTURES OR CRACKS OF THE BAD SITUATION.



PIN ASSIGNMENTS  
FRONT VIEW

G	FEMALE PIN	4	Phosphor Bronze	1u" GOLD PLATING OVER NICKEL PLATING
F	PANEL BODY	1	PA66+30%GF	BLACK
E	GASKET	1	EPDM ADHESIVE	BLACK
D	SCREW	2	STAINLESS STEEL	N/A
C	DUST CAP	1	HYTREL 4056	BLACK
B	LIQUID GLUE	1	N/A	BLACK
A	HOUSING	1	PA66+30%GF	BLACK
NO	DESCRIPTION	QTY	MATERIAL	PLATING & COLOR
UNLESS OTHERWISE SPECIFIED TOLERANCES			Singatron Electronic(China) Co., Ltd. 信音電子(中國)股份有限公司	
DECIMALS:		ANGLES:		
X	:±0.5	X	:±2°	
X.X	:±0.3	X.X	:±1°	
X.XX	:±0.2			
TITLE		(2+2)PIN POWER SOCKET(5+10A)		
DWN	YF	<b>PART NO.2CT3020-X048A0</b>		
CHKD	Harlen	SCALE 2:1	UNIT: mm	
APVD	Quan	SIZE: A3	SHEET:1 OF 1	REV:D
<b>CUSTOMER COPY</b>				