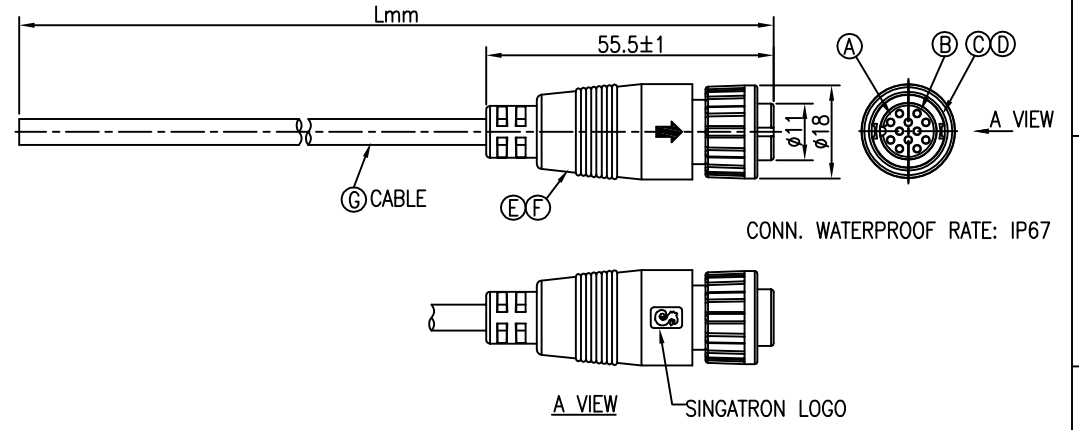


P/N:	Pin Assignments Front View	Cable Spec.	Current Rating
2CT3004-X02400		UL2464 20AWG*2C+Al/My, (UV Resistant),OD=φ4.7, Wire Color: 1.Green 2.Red	10A
2CT3004-X03400		UL2464 20AWG*3C+Al/My (UV Resistant),OD=φ5.0, Wire Color: 1.Black 2.White 3.Yellow	10A
2CT3004-X04400		UL2464 20AWG*4C+Al/My (UV Resistant),OD=φ5.3, Wire Color: 1.Brown 2.Blue 3.Blackd 4.White	10A
2CT3004-X04300		UL2464 24AWG*4C+Al/My (UV Resistant),OD=φ4.4, Wire Color: 1.White 2.Green 3.Red 4.Yellow	5A
2CT3004-X05300		UL2464 24AWG*5C+Al/My (UV Resistant),OD=φ4.7, Wire Color: 1.Brown 2.Blue 3.Black 4.White 5.Red	5A
2CT3004-X06300		UL2464 24AWG*6C+Al/My (UV Resistant),OD=φ5.0, Wire Color: 1.Blue 2.Green 3.Yellow 4.Black 5.Red 6.White	5A
2CT3004-X07300		UL2464 24AWG*7C+Al/My (UV Resistant),OD=φ5.0, Wire Color: 1.Blue 2.Black 3.Yellow 4.Red 5.Brown 6.Green 7.White	5A
2CT3004-X08300		UL2464 24AWG*8C+Al/My (UV Resistant),OD=φ5.4, Wire Color: 1.Black 2.Brown 3.White 4.Blue 5.Red 6.Grey 7.Yellow 8.Green	5A
2CT3004-X10200		UL2464 26AWG*10C+Al/My (UV Resistant),OD=φ5.7, Wire Color: 1.Brown 2.Blue 3.White 4.Green 5.Yellow 6.Grey 7.Pink 8.Red 9.Black 10.Orange	2A
2CT3004-X12200		UL2464 26AWG*12C+Al/My (UV Resistant),OD=φ5.9, Wire Color: 1.Brown 2.Blue 3.White 4.Green 5.Yellow 6.Grey 7.Pink 8.Red 9.Black 10.Orange 11.Purple 12.Light Green	2A

REV.	ECN NO OR DESCRIPTION	REVISED	DATE
A	PDR NO.:T080815A4I	Steve	2009.04.26



NOTES:

- WATERPROOF RATE: IP67
IP67: IMMERSED IN 1M WATER FOR 30 MINUTES
- CABLE LENGTH TOLERANCE: 1M~10M±5%mm, 11M~99M±500mm.
CABLE JACKET MATERIAL: BLACK PVC
- SPECIFICATIONS:SEE "CIRCULAR SERIES SPECIFICATIONS".
- TO CONFORM TO SINGATRON HAZARDOUS SUBSTANCE FREE SPEC.
- GREEN PRODUCT IDENTIFICATION LABEL ON PACKAGING: **G.P. PASS**
- ORDER INFORMATION:
2CT3004-XXXX00

- 2-CURRENT RATING 2A
- 3-CURRENT RATING 5A
- 4-CURRENT RATING 10A
- 02- 2 PIN
- 03- 3 PIN
- 04- 4 PIN
- 05- 5 PIN
- 06- 6 PIN
- 07- 7 PIN
- 08- 8 PIN
- 10-10 PIN
- 12-12 PIN

F	INNER MOLD	1	TPU	NATURAL
E	OVER MOLD	1	PVC	BLACK
D	O-RING	1	EPDM	BLACK
C	LOCK NUT	1	NYLON+GF	BLACK
B	FEMALE PIN		Phosphor Bronze Alloy	6u" GOLD PLATED OVER NICKEL PLATING
A	BODY	1	NYLON+GF	BLACK
NO	DESCRIPTION	QTY	MATERIAL	PLATING & COLOR
UNLESS OTHERWISE SPECIFIED TOLERANCES		Singatronic Electronic(China) Co., Ltd. 信音電子(中國)股份有限公司		
DECIMALS:		TITLE		
X	:±0.5	CIRCULAR STANDARD SIZE (180° IP67)		
X.X	:±0.3	FEMALE CONN. FEMALE (2~12)PIN/LOCK TYPE		
X.XX	:±0.2	DWN	Steve	PART NO.2CT3004-XXXX00
		CHKD	Quan	SCALE 1:1 UNIT: mm
		APVD	Max	SIZE: A3 SHEET:1 OF 1 REV: A
CUSTOMER COPY				