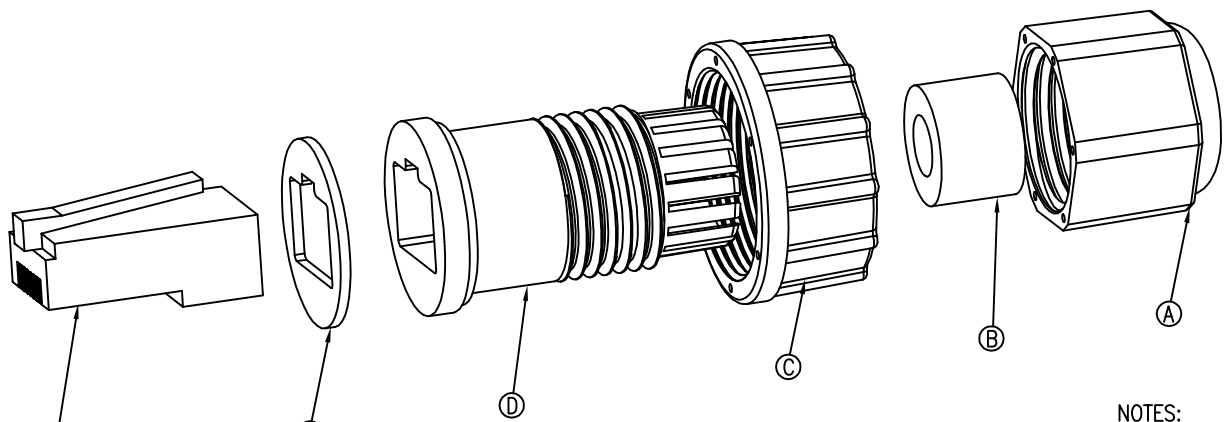


1 2 3 4 5 6 7 8

REV.	ECN NO OR DESCRIPTION	REVISED	DATE
A	PDR NO.:T090522-4C~4E	Steve	2009.07.28
B	ECN NO.S101019	LILY	2010.10.20
C	ECN NO.S130571	Shawn	2013.09.29

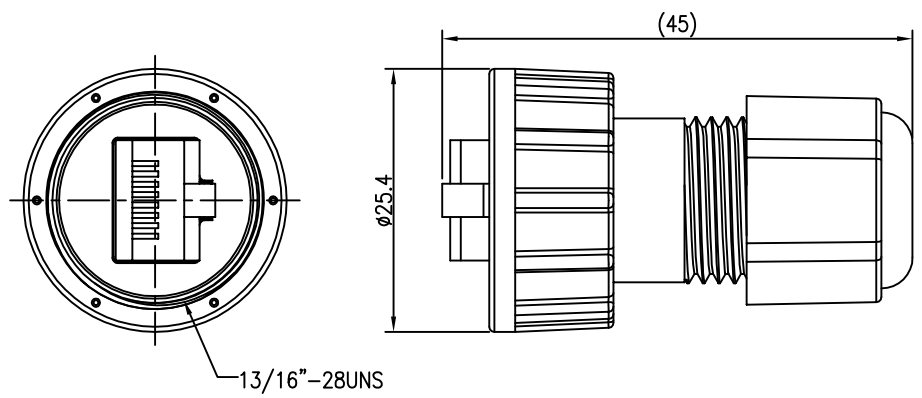


F SEE NOTE:6

NOTES:

1. WATERPROOF RATE: IP67(WHEN PROPERLY MATED)
IP67: IMMERSED IN 1M WATER FOR 30 MINUTES
2. ELECTRICAL CHARACTERISTICS:
1-1. RATING:125V 1.5A
1-2. CONTACT RESISTANCE: 30mΩ MAX.(INITIAL)
1-3. DIELECTRIC WITHSTANDING VOLTAGE: 750V AC FOR ONE MINUTE
1-4. INSULATION RESISTANCE: 500MΩ MIN. MEASURED BY 500 VDC
3. OTHER GENERAL SPEC. TO REFER "RJ45 SERIES SPEC".
4. TO CONFORM TO SINGATRON HAZARDOUS SUBSTANCE FREE SPEC.
5. GREEN PRODUCT IDENTIFICATION LABEL ON PACKAGING: G.P. PASS
6. ORDER INFORMATION: 2TJ300X-X05100

- 0-WITH STP PLUG
- 1-WITH UTP PLUG
- 2-WITHOUT PLUG



F	RJ45 PLUG	1	SEE NOTE 6	N/A
E	GASKET	1	EPDM	BLACK
D	CLAMP RING	1	PC 9330	BLACK
C	SCREW NUT	1	PC 9330	BLACK
B	SEAL	1	EPDM	BLACK
A	SEALING NUT	1	PC 9330	BLACK
NO	DESCRIPTION	QTY	MATERIAL	PLATING & COLOR

UNLESS OTHERWISE SPECIFIED TOLERANCES

 Singatron Electronic(China) Co., Ltd.


DECIMALS:	ANGLES:	TITLE	WATERPROOF RJ45 PLUG	
X :±0.5	X :±2°	DWN	Shawn	PART NO.2TJ300X-X05100
X.X :±0.3	X.X :±1°	CHKD	Harlen	SCALE 1:1 UNIT: mm
X.XX :±0.2		APVD	Quan	SIZE: A3 SHEET:1 OF 1 REV: C
CUSTOMER COPY				