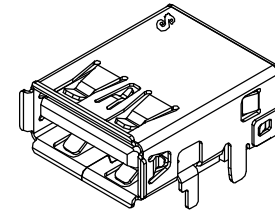
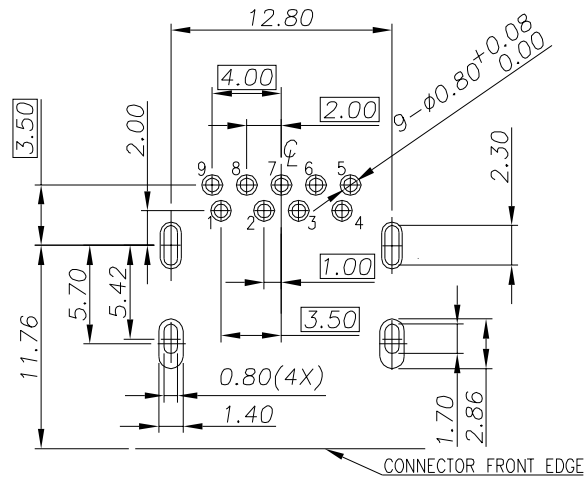
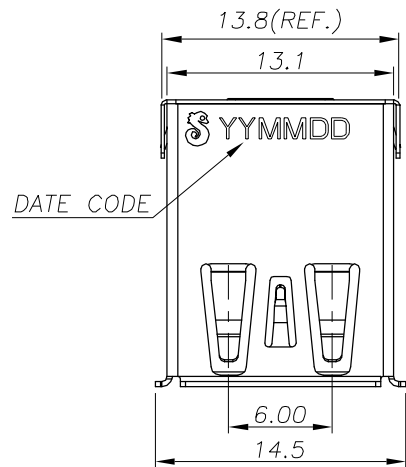


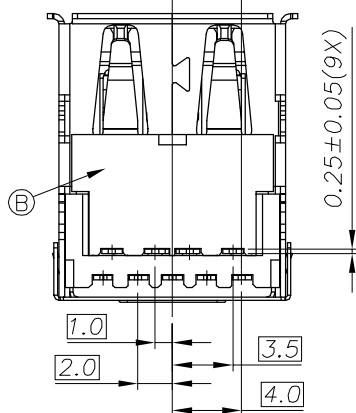
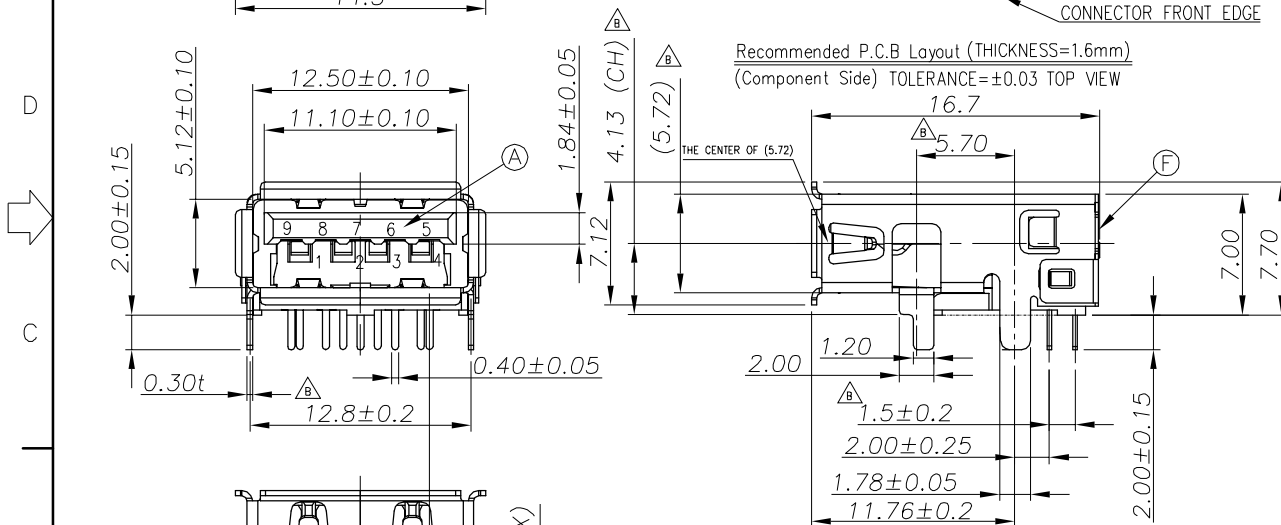
REV.	ECN NO OR DESCRIPTION	REVISED	DATE
A	PRODUCT RELEASE	Victor	2013.09.23
B	S190603-C	KIWIMAN	2019.07.03



SPECIFICATIONS:

- ELECTRICAL CHARACTERISTICS:
  - CURRENT RATING: 1.8A (PIN1,4) ; OTHER CONTACTS 0.25A
  - CONTACT RESISTANCE: 30mΩ MAX.
  - DIELECTRIC WITHSTANDING VOLTAGE: 100V AC FOR 1 MINUTE
  - INSULATION RESISTANCE: 100MΩ MIN
- MECHANICAL CHARACTERISTICS:
  - INSERTION FORCE : 35N MAX
  - WITHDRAWAL FORCE : 10N~25N (INITIAL)  
8N~25N (AFTER TEST)
- DURABILITY: 5,000 CYCLES.
- TO CONFORM TO SINGATRON HAZARDOUS SUBSTANCE FREE SPEC.
- HALOGEN FREE IDENTIFICATION MARK ON JACK:
- HALOGEN FREE IDENTIFICATION LABEL ON PACKAGING:
- FOR IR-REFLOW PROCESS.
- DATE : YYMMDD
- PACKAGING : TAPE & REEL.

Recommended P.C.B Layout (THICKNESS=1.6mm)  
(Component Side) TOLERANCE=±0.03 TOP VIEW



Pin Number	Signal ASSIGNMENT
PIN 1	VBUS
PIN 2	D-
PIN 3	D+
PIN 4	GND
PIN 5	StdA_SSRX-
PIN 6	StdA_SSRX+
PIN 7	GND_DRAIN
PIN 8	StdA_SSTX-
PIN 9	StdA_SSTX+

NO	DESCRIPTION	QTY	MATERIAL	PLATING & COLOR
F	SHELL COVER	1	STAINLESS STEEL	
E	TERMINAL	5	COPPER ALLOY	30u" Au ON PLATING CONTACT AREA, MATTE Sn 100u" ON SOLDER AREA, 80u" NICKEL UNDER PLATING OVERALL
D	TERMINAL	4	COPPER ALLOY	30u" Au ON PLATING CONTACT AREA, MATTE Sn 100u" ON SOLDER AREA, 80u" NICKEL UNDER PLATING OVERALL
C	SHELL	1	STAINLESS STEEL	NICKEL 60u" MIN
B	BASE	1	PA9T	BLUE (300C)
A	HOUSING	1	PA9T	BLUE (300C)

UNLESS OTHERWISE SPECIFIED TOLERANCES		Singatron Enterprise Co., Ltd. 	
DECIMALS: ANGLES:		TITLE	
X : ±0.5	X : ±2°	USB 3.0 CONNECTOR	
X.X : ±0.4	X.X : ±1°	DWN	KIWIMAN
X.XX : ±0.3		PART NO.2UB4012-300102F	
		CHKD	SCALE 1:1 UNIT: mm
		APVD	SIZE: A3 SHEET: 1 OF 1
		REV: B	
CUSTOMER COPY			