

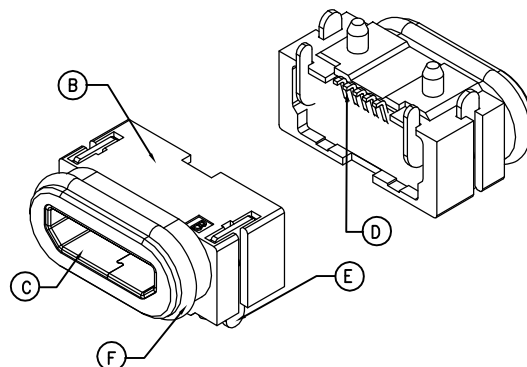
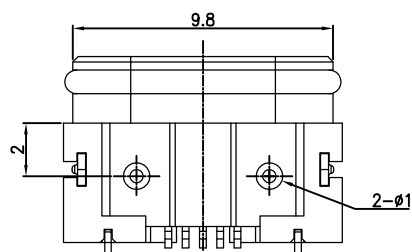
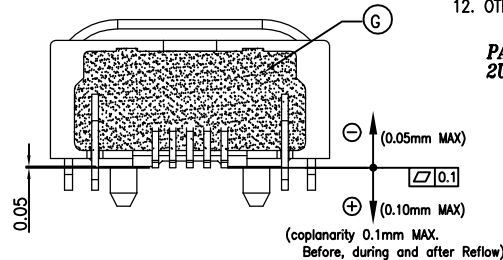
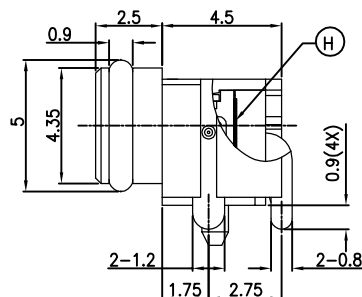
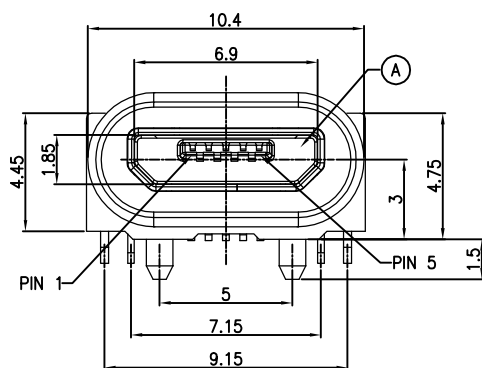
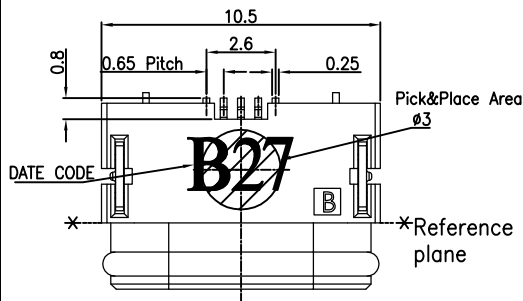
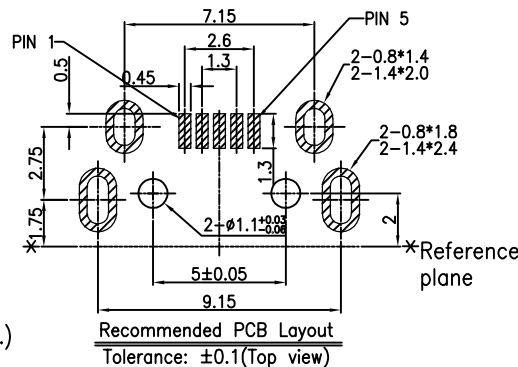
REV.	ECN NO OR DESCRIPTION	REVISED	DATE
A	PDR RELEASE	IVY-C	2015.09.21

SPECIFICATIONS:

- ELECTRICAL CHARACTERISTICS:
 - RATING: 1.8A (PIN1/5), 0.5A (PIN2/3/4)
 - CONTACT RESISTANCE: 30mΩ MAX.(INITIAL)
 - DIELECTRIC WITHSTANDING VOLTAGE: 300V AC FOR ONE MINUTE.
 - INSULATION RESISTANCE: 1000MΩ MIN. MEASURED BY 500 VDC
- MECHANICAL CHARACTERISTICS:
 - INSERTION FORCE : 3.6 KGF (MAX)
 - WITHDRAWAL FORCE : 0.8 KGF(Reference)
- DURABILITY: 10,000 CYCLES .
- WATER PROOFNESS:THIS PRODUCT IS BASED ON IPX7(1m,30min)
- PLUG INTERFACE DIMENSIONS COMFORM TO USB2.0 SPEC.
- OVAL RING
 - The amount of low molecular siloxanes(D3~D10)is less than 200ppm
 - Hardness of silicone rubber:70°
 - Horizontal flash 0.1max;Longitudinal flash 0.10max
- BODY WITH O-RING'S SEAL AREA BURRS IS 0.05mm Max.
- TO CONFORM TO THE SINGATRON HAZARDOUS SUBSTANCE FREE SPEC.
- GREEN PRODUCT IDENTIFICATION LABEL ON PACKAGING: **G.P. PASS**
- PACKAGE: SEE "2UB1679-W00111H" PACKAGE.
- FOR REFLOW SOLDERING LEAD-FREE PROCESS.
- OTHER GENERAL SPEC. TO REFER "2UB1679-W00111H SPEC".

PART NO.
2UB1679-W00111H

- SUFFIX: HALOGEN
- PACKAGE
1: TAPE & REEL
- HOUSING COLOR
1: BLACK
- CONTACT PLATING
1: GOLD FLASH ON CONTACT AREA,
MATTE TIN 50u" MIN ON SOLDER AREA,
NICKEL 50u" MIN UNDERPLATED OVERALL.



H	MYLAR	1		YELLOW
G	BOND	1	EPOXY	
F	OVAL RING	1	SILICONE	
E	TERMINAL	2	SPCC	Matte Sn 80u" Min; Cu 80u" Min underplate
D	CONTACT	5	BRASS	SEE PART NO.
C	SHELL	1	SUS 304	NICKEL
B	COVER	1	PA9T UL 94V-0	BLACK
A	HOUSING	1	LCP UL 94V-0	BLACK
NO	DESCRIPTION	QTY	MATERIAL	PLATING & COLOR

UNLESS OTHERWISE SPECIFIED TOLERANCES

Singatron Enterprise Co., Ltd.
 信音企業股份有限公司

DECIMALS:	ANGLES:	TITLE	MIRCO USB WATERPROOF CONNECTOR	
X :±0.5	X :±2°	DWN	NY-C 2015.09.21	PART NO. 2UB1679-W00111H
X.X :±0.3	X.X :±1°	CHKD	ANGELA2015.09.21	SCALE 1:1 UNIT: mm
X.XX :±0.2		APVD	ANGELA2015.09.21	SIZE: A3 SHEET:1 OF 1 REV: A

CUSTOMER COPY