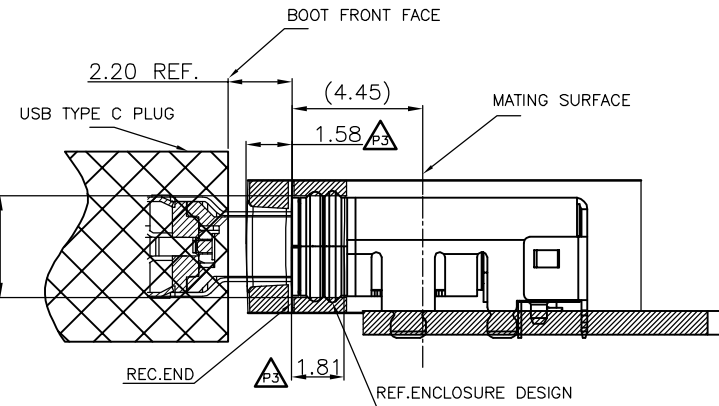
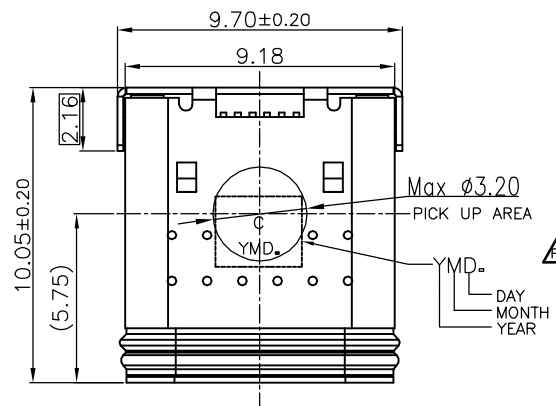
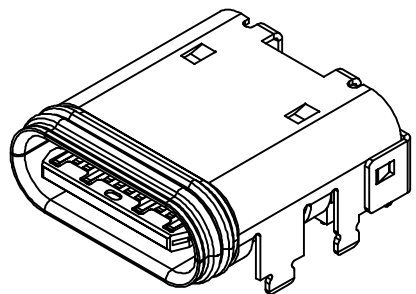
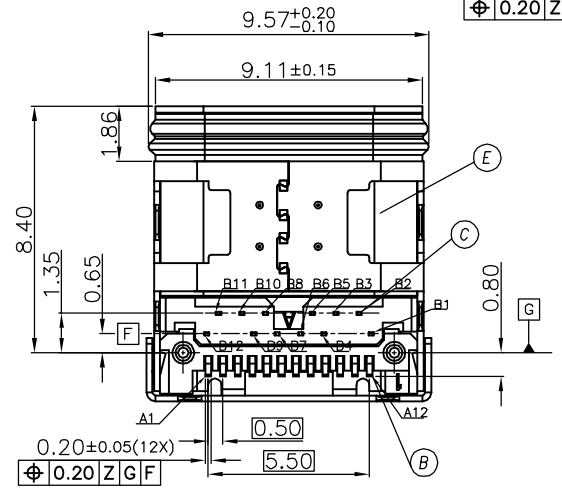
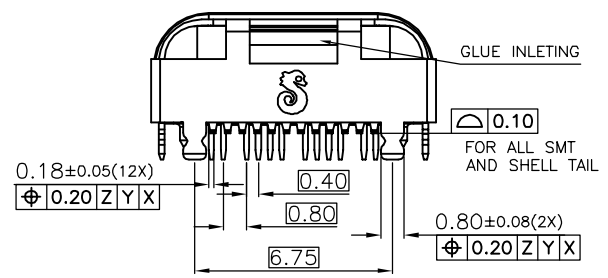
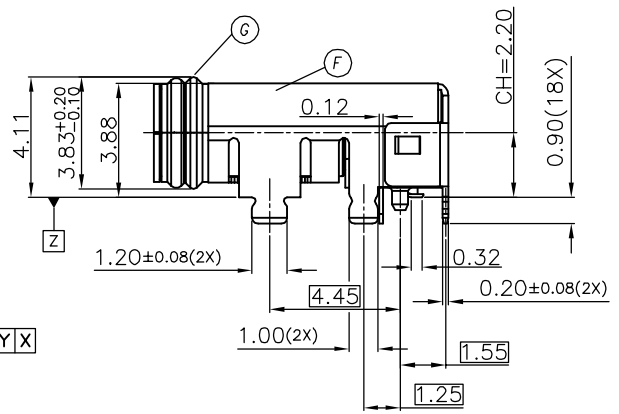
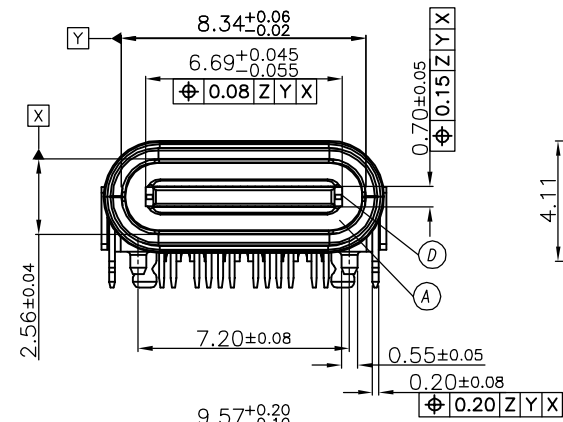


REV.	ECN NO OR DESCRIPTION	REVISED	DATE
1	PDR NO.:T200406-13A	Allen	2020.05.28



MATING DRAWING

- SPECIFICATIONS:**
- ELECTRICAL CHARACTERISTICS:
 - CONTACT CURRENT RATING:
VBUS AND GND CONTACTS RATED AT 1.25A EA. PARALLELED FOR A TOTAL OF 5A.
 - LOW LEVEL CONTACT RESISTANCE:
40mOhms MAX. FOR VBUS,GND AND OTHER CONTACTS
50mOhms MAX. AFTER ENVIRONMENT TEST
 - MECHANICAL CHARACTERISTICS:
 - MATING FORCE : 5~20N.
 - UNMATING FORCE : 8~20N. After 10000 MATING 6~20N.
 - LIFE TEST: 10000 MATING CYCLES.
 - OPERATING TEMPERATURE: -55°C TO +85°C.
 - CAN MEET USB 2.0 +POWER DELIVERY
 - TO CONFORM TO SINGATRON HAZARDOUS SUBSTANCE FREE SPEC.
 - HALOGEN FREE PRODUCT IDENTIFICATION MARK ON JACK:
 - HALOGEN FREE PRODUCT IDENTIFICATION LABEL ON PACKAGING:
 - FOR REFLOW SOLDERING LEAD-FREE PROCESS.
 - MEET USB TYPE C STANDARD SPECIFICATION,
MEET WATERPROOF STANDARD SPECIFICATION IP67.



3D VIEW

G	O-RING	1	SILICONE	N/A
F	TOP SHELL	1	STAINLESS STEEL,T=0.20	NICKEL 80u"MIN Over All
E	SHELL	1	STAINLESS STEEL,T=0.20	NICKEL 80u"MIN Over All
D	MID-GND	1	STAINLESS STEEL,T=0.15	N/A
C	BOTTOM CONTACT	24	PHOSPHOR BRONZE	Au G/F PLATED ON CONTACT AREA; Matte Sn120uin ON SOLDERING 80uin NICKEL UNDER PLATING OVERALL
B	TOP CONTACT	24	PHOSPHOR BRONZE	Au G/F PLATED ON CONTACT AREA; Matte Sn120uin ON SOLDERING 80uin NICKEL UNDER PLATING OVERALL
A	Housing	1	HIGH TEMP.THERMOPLASTIC	ORANGE

NO	DESCRIPTION	QTY	MATERIAL	PLATING & COLOR
UNLESS OTHERWISE SPECIFIED TOLERANCES			Singatron Enterprise Co., Ltd. 信音企業股份有限公司	
DECIMALS:		ANGLES:	TITLE	
X	±0.30	X	±2°	DWN ALLEN
X.X	±0.25	X.X	±1°	CHKD BOYE
X.XX	±0.2			APVD LIAO
			USB TYPE -C (C.H.=2.20) PART NO: 2UB3C41-001111F SCALE:4:1 UNIT: mm SIZE: A3 SHEET:1 OF 2 REV:1	

CUSTOMER COPY